

M16x25 PVC Adapter

Material
PVC



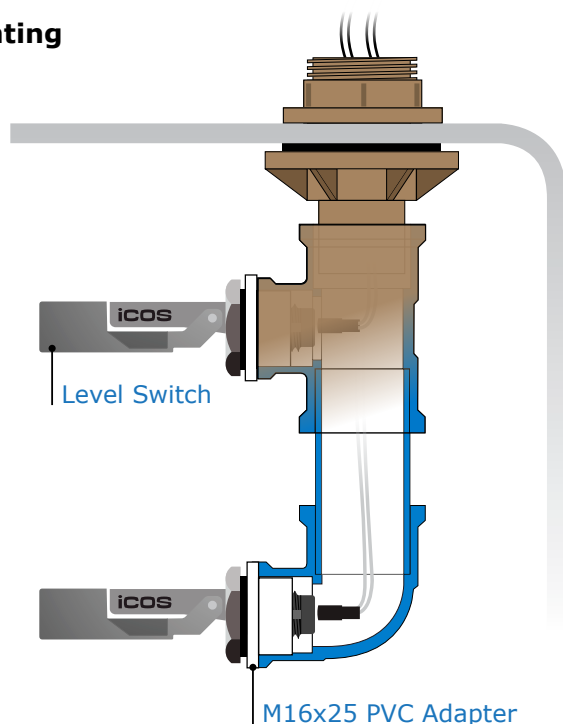
Details • Mounting to the [ICOS Level Switches](#) in pipes, PVC connections and flange.

Typical applications • Fast, cheap and reliable level control, Adapter is used to avoid drilling a hole in the tank wall to mount the [Level Switch](#).

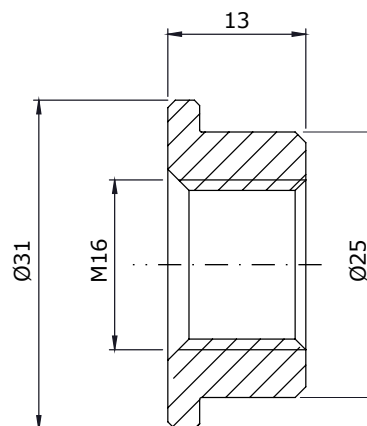
Technical specifications

Flange **M16**
Pipe mounting **Plastic adhesive for PVC**
Weight **9g**

Mounting



Dimensions (mm)

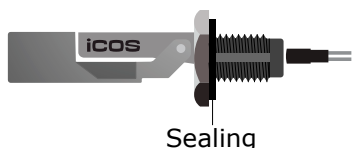


You mount your level control!

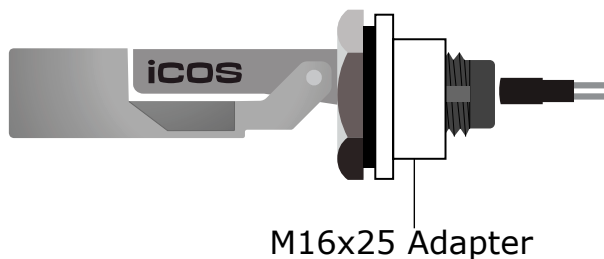
Add how many points you need in your liquid level control with pairs of [Sensor + Adapter](#) in the desired height inside the tank.

Mounting of **Level Switches** in pipes and commercial PVC connections.

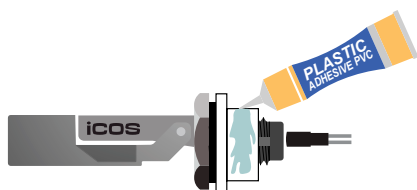
- 1** Remove the nut keeping the sealing on the Sensor.



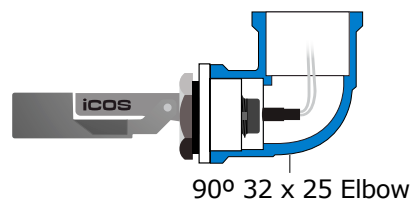
- 2 Important!**
Thread the Adapter on Sensor with enough tightness to sealing.



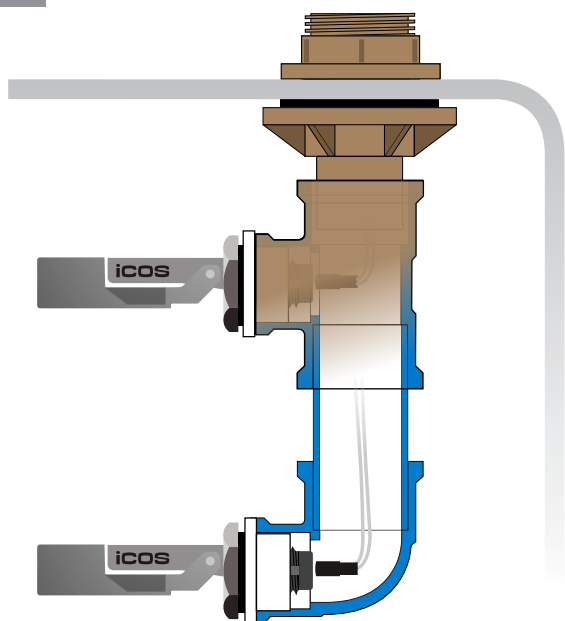
- 3** Apply adhesive plastic for PVC on adapter.



- 4** Mount the Adapter into the pipe with Sensor in the desired position (NO/NC).



- 5** Repeat the procedure for more points.



Add how many points you need in your liquid level control with pairs of Sensor + Adapter in the desired height inside the tank.

Level Switches to use with Adapter:

- **LA16M-40:** for water, fuels and lubricants
- **LA26M-40:** for chemical products
- **LA36M-40:** for temperature until 125°C
- **LB16M-40:** for surface mounting, water, oil
- **LB26M-40:** for surface mounting, chemical products
- **LC26M-40:** vertical level control (top or bottom)

Useful Links:

- » [Connect Level Sensor to Contactor](#)
- » [How it Works: Level Sensors](#)
- » [Increase the life of your Sensor](#)