

LA322E-40

Material

 PPA - Polyphthalamide
 (PA hex nut)


How it works Movement of the magnetic float opens/closes a hermetically sealed contact (**reed switch**).

Details

- Compact and low cost;
- On/Off SPST output;
- Operation can be normally open or normally closed, by rotating the switch 180°;
- Mounting in thin wall tank or closed tanks;
- Detect level of liquids in pipes.

Typical applications

- Tank liquid level control;
- Pumps automation.



Chemical products require preliminary tests to confirm compatibility.

Liquid with ferrous particles should be avoided.

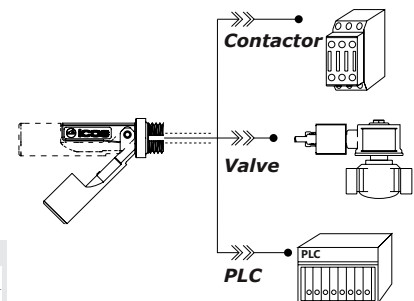
Technical specifications

Maximum operating pressure	2bar
Operating temperature range	-10°C to 125°C
Liquid minimum density (SG)	0.70
Sealing	NBR compression gasket
Output connection	Wire 2 x 0.5mm² x 40cm
Enclosure rating	IP66
Electrical contact	Reed Switch 20W/VA

The sensors work in all voltage and current ranges displayed in the table below:

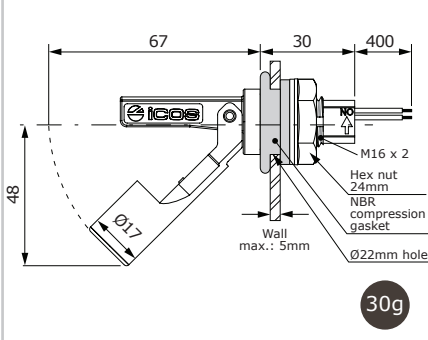
Operating Voltage	Max. Switching Power	Max. Switching Current	Peak Current
110Vac	20VA	0.2A	0.5A @20ms
220Vac	20VA	0.1A	0.5A @20ms
5Vdc	2.5W	0.5A	1A @20ms
12Vdc	5W	0.5A	1A @20ms
24Vdc	10W	0.5A	1A @20ms

24Vac: NOT recommended


Important!

- For cables longer than 20 meters.
- Relay coupler, timing relay, frequency inverter.

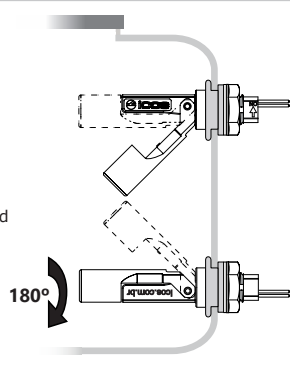
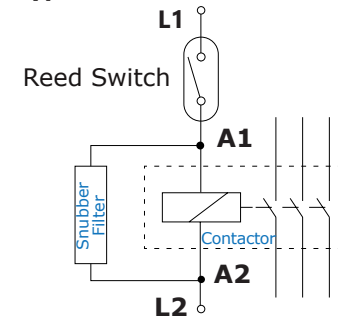
A series **resistor** must be installed.
[Click and check how to install.](#)

Dimensions (mm) and Weight

Mounting

NO
Working as
Normally Open

NC
Working as
Normally Closed

Note
Minimum
radius in
cylindric tank:
50mm.


Typical connection to contactor


level sensor | level switch | float level | float switch | magnetic level switch | liquid level controller

 **Click and Check:**

[Models and Prices](#) | [Datasheets](#) | [Operation Videos](#)

Flow Switches and Level Switches for liquids

Make it easy