

## LA16M-40

### Material

POM - Polyacetal  
(PA hex nut)



**How it works** Movement of the magnetic float opens/closes a hermetically sealed contact ([reed switch](#)).

- Details**
- Compact and low cost;
  - On/Off SPST output;
  - Operation can be normally open or normally closed, by rotating the switch 180°.

- Typical applications**
- Tank liquid level control;
  - Pumps automation.



**Chemical products** require preliminary tests to confirm compatibility.

**Liquid with ferrous particles** should be avoided.

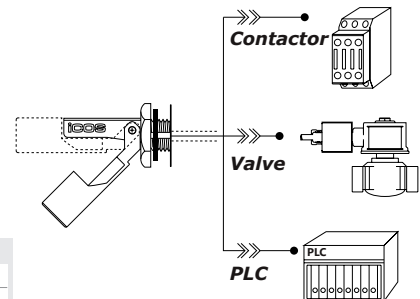
## Technical specifications

|                             |  |
|-----------------------------|--|
| Maximum operating pressure  | <b>2bar</b>                              |
| Operating temperature range | <b>-10°C to 100°C</b>                    |
| Liquid minimum density (SG) | <b>0.76</b>                              |
| Sealing                     | <b>NBR gasket</b>                        |
| Output connection           | <b>Wire 2 x 0.5mm<sup>2</sup> x 40cm</b> |
| Enclosure rating            | <b>IP66</b>                              |
| Electrical contact          | <b>Reed Switch 20W/VA</b>                |

**The sensors work in all voltage and current ranges displayed in the table below:**

| Operating Voltage | Max. Switching Power | Max. Switching Current | Peak Current |
|-------------------|----------------------|------------------------|--------------|
| 110Vac            | 20VA                 | 0.2A                   | 0.5A @20ms   |
| 220Vac            | 20VA                 | 0.1A                   | 0.5A @20ms   |
| 5Vdc              | 2.5W                 | 0.5A                   | 1A @20ms     |
| 12Vdc             | 5W                   | 0.5A                   | 1A @20ms     |
| 24Vdc             | 10W                  | 0.5A                   | 1A @20ms     |

**24Vac:** NOT recommended

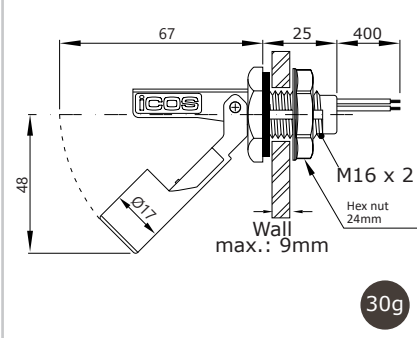


### Important!

- For cables longer than 20 meters.
- Relay coupler, timing relay, frequency inverter.

A series **resistor** must be installed.  
[Click and check how to install.](#)

### Dimensions (mm) and Weight



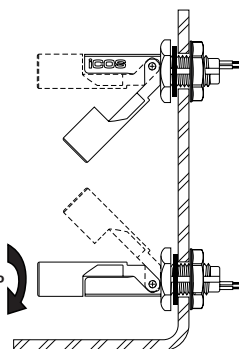
### Mounting

**NO**  
Working as  
Normally Open

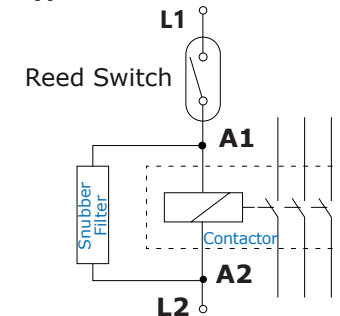
**NC**  
Working as  
Normally Closed

**Note**  
Minimum  
radius in  
cylindric tank:  
**150mm.**

180°



### Typical connection to contactor



## LA26M-40

### Material

PP - Polypropylene  
(PA hex nut)



**How it works** Movement of the magnetic float opens/closes a hermetically sealed contact ([reed switch](#)).

- Details**
- Compact and low cost;
  - On/Off SPST output;
  - Operation can be normally open or normally closed, by rotating the switch 180°.

- Typical applications**
- Tank liquid level control;
  - Pumps automation.



**Chemical products** require preliminary tests to confirm compatibility.

**Liquid with ferrous particles** should be avoided.

*Not suitable for fuel.*

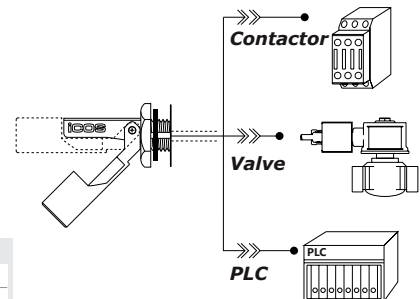
## Technical specifications

|                             |  |
|-----------------------------|--|
| Maximum operating pressure  | <b>2bar</b>                              |
| Operating temperature range | <b>-10°C to 100°C</b>                    |
| Liquid minimum density (SG) | <b>0.68</b>                              |
| Sealing                     | <b>NBR gasket</b>                        |
| Output connection           | <b>Wire 2 x 0.5mm<sup>2</sup> x 40cm</b> |
| Enclosure rating            | <b>IP66</b>                              |
| Electrical contact          | <b>Reed Switch 20W/VA</b>                |

**The sensors work in all voltage and current ranges displayed in the table below:**

| Operating Voltage | Max. Switching Power | Max. Switching Current | Peak Current |
|-------------------|----------------------|------------------------|--------------|
| 110Vac            | 20VA                 | 0.2A                   | 0.5A @20ms   |
| 220Vac            | 20VA                 | 0.1A                   | 0.5A @20ms   |
| 5Vdc              | 2.5W                 | 0.5A                   | 1A @20ms     |
| 12Vdc             | 5W                   | 0.5A                   | 1A @20ms     |
| 24Vdc             | 10W                  | 0.5A                   | 1A @20ms     |

**24Vac:** NOT recommended

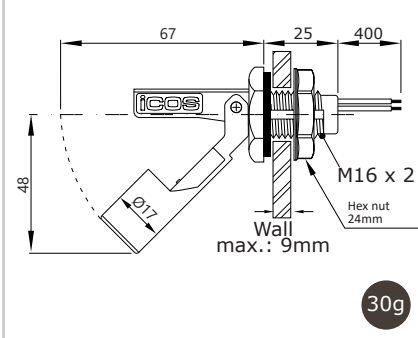


### Important!

- For cables longer than 20 meters.
- Relay coupler, timing relay, frequency inverter.

A series **resistor** must be installed.  
[Click and check how to install.](#)

## Dimensions (mm) and Weight



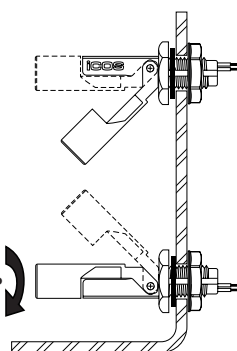
## Mounting

**NO**  
Working as  
Normally Open

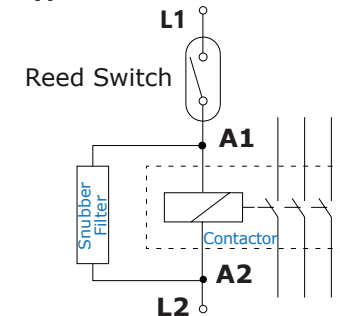
**NC**  
Working as  
Normally Closed

**Note**  
Minimum  
radius in  
cylindric tank:  
**150mm.**

180°



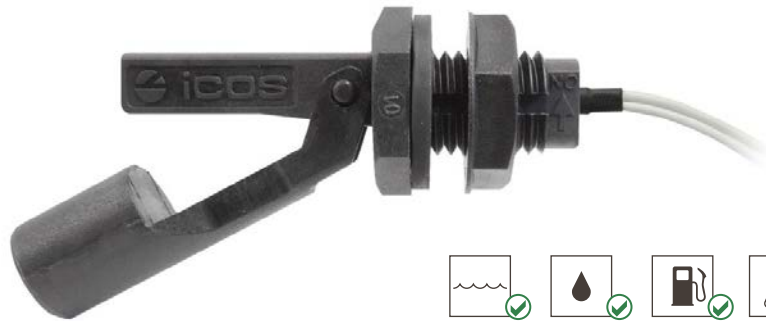
## Typical connection to contactor



## LA36M-40

### Material

PPA - Polyphthalamide  
(PA hex nut)



**How it works** Movement of the magnetic float opens/closes a hermetically sealed contact ([reed switch](#)).

- Details**
- Compact and low cost;
  - On/Off SPST output;
  - Operation can be normally open or normally closed, by rotating the switch 180°.

- Typical applications**
- Tank liquid level control;
  - Pumps automation.



**Chemical products** require preliminary tests to confirm compatibility.

**Liquid with ferrous particles** should be avoided.

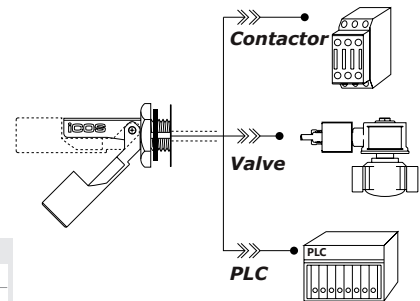
## Technical specifications

Maximum operating pressure **2bar**  
 Operating temperature range **-10°C to 125°C**  
 Liquid minimum density (SG) **0.70**  
 Sealing **NBR gasket**  
 Output connection **Wire 2 x 0.5mm<sup>2</sup> x 40cm**  
 Enclosure rating **IP66**  
 Electrical contact **Reed Switch 20W/VA**

**The sensors work in all voltage and current ranges displayed in the table below:**

| Operating Voltage | Max. Switching Power | Max. Switching Current | Peak Current |
|-------------------|----------------------|------------------------|--------------|
| 110Vac            | 20VA                 | 0.2A                   | 0.5A @20ms   |
| 220Vac            | 20VA                 | 0.1A                   | 0.5A @20ms   |
| 5Vdc              | 2.5W                 | 0.5A                   | 1A @20ms     |
| 12Vdc             | 5W                   | 0.5A                   | 1A @20ms     |
| 24Vdc             | 10W                  | 0.5A                   | 1A @20ms     |

**24Vac:** NOT recommended

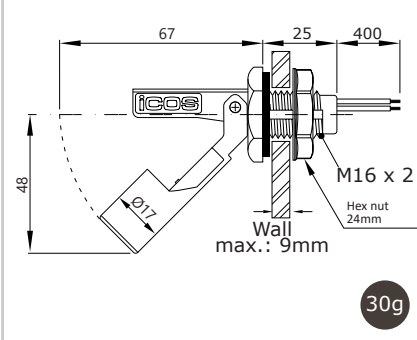


### Important!

- For cables longer than 20 meters.
- Relay coupler, timing relay, frequency inverter.

A series **resistor** must be installed.  
[Click and check how to install.](#)

### Dimensions (mm) and Weight

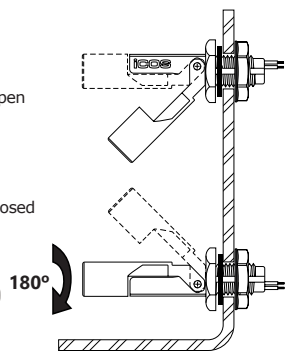


### Mounting

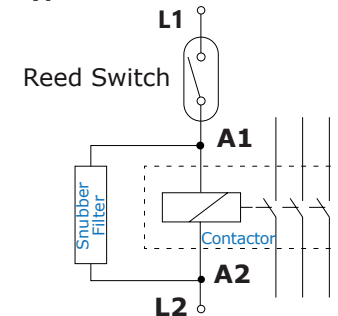
**NO**  
Working as  
Normally Open

**NC**  
Working as  
Normally Closed

**Note**  
Minimum  
radius in  
cylindric tank:  
**150mm.**



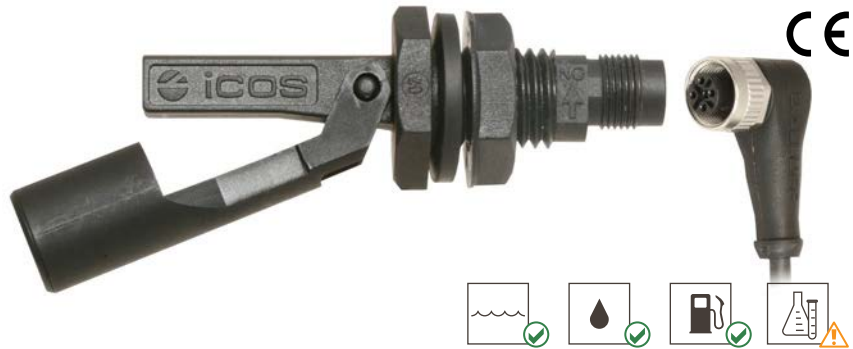
### Typical connection to contactor



## LA36-M12

### Material

PPA - Polyphthalamide  
(PA hex nut)



**How it works** Movement of the magnetic float opens/closes a hermetically sealed contact ([reed switch](#)).

### Details

- Compact and low cost;
- On/Off SPST output;
- Operation can be normally open or normally closed, by rotating the switch 180°.

### Typical applications

- Tank liquid level control;
- Pumps automation.



**Chemical products** require preliminary tests to confirm compatibility.

**Liquid with ferrous particles** should be avoided.

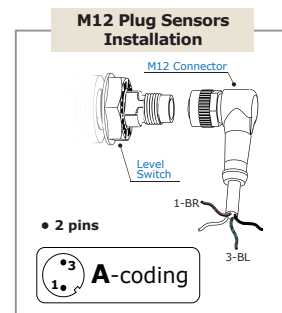
## Technical specifications

|                             |   |
|-----------------------------|---|
| Maximum operating pressure  | <b>2bar</b>   |
| Operating temperature range | <b>-10°C to 125°C</b>   |
| Liquid minimum density (SG) | <b>0.70</b>   |
| Sealing                     | <b>NBR gasket</b>   |
| Output connection           | <b>M12 male plug (2 pins)</b><br><b>M12 female connector NOT included</b> |
| Enclosure rating            | <b>IP66</b>   |
| Electrical contact          | <b>Reed Switch 20W/VA</b>   |

The sensors work in all voltage and current ranges displayed in the table below:

| Operating Voltage | Max. Switching Power | Max. Switching Current | Peak Current |
|-------------------|----------------------|------------------------|--------------|
| 110Vac            | 20VA                 | 0.2A                   | 0.5A @20ms   |
| 220Vac            | 20VA                 | 0.1A                   | 0.5A @20ms   |
| 5Vdc              | 2.5W                 | 0.5A                   | 1A @20ms     |
| 12Vdc             | 5W                   | 0.5A                   | 1A @20ms     |
| 24Vdc             | 10W                  | 0.5A                   | 1A @20ms     |

**24Vac:** NOT recommended

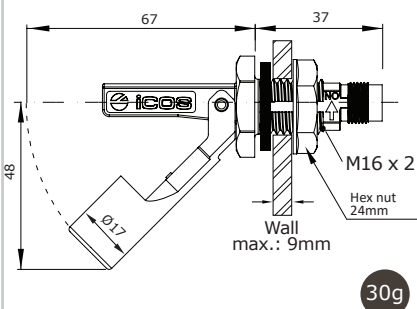


### Important!

- For cables longer than 20 meters.
- Relay coupler, timing relay, frequency inverter.

A series **resistor** must be installed.  
[Click and check how to install.](#)

### Dimensions (mm) and Weight

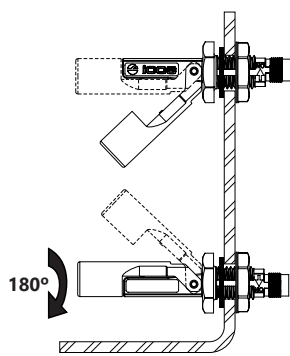


### Mounting

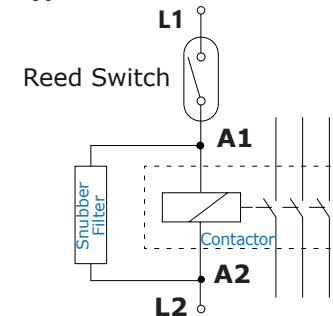
**NO**  
Working as  
Normally Open

**NC**  
Working as  
Normally Closed

**Note**  
Minimum  
radius in  
cylindric tank:  
**150mm.**



### Typical connection to contactor



## LB16M-40

### Material

POM - Polyacetal  
(PA hex nut)



**How it works** Movement of the magnetic float opens/closes a hermetically sealed contact (reed switch).

- Details**
- Compact and low cost;
  - On/Off SPST output;
  - Operation can be normally closed.

- Typical applications**
- Tank liquid level control;
  - Pumps automation.



**Chemical products** require preliminary tests to confirm compatibility.

**Liquid with ferrous particles** should be avoided.

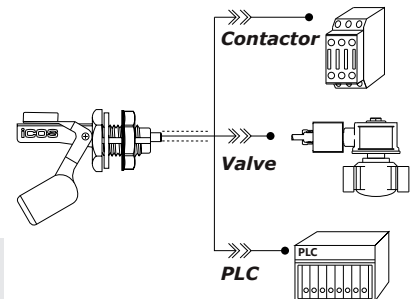
### Technical specifications

|                             |  |
|-----------------------------|--|
| Operating temperature range | <b>-10°C to 100°C</b>                    |
| Liquid minimum density (SG) | <b>0.65</b>                              |
| Sealing                     | <b>NBR gasket</b>                        |
| Output connection           | <b>Wire 2 x 0.5mm<sup>2</sup> x 40cm</b> |
| Enclosure rating            | <b>IP66</b>                              |
| Electrical contact          | <b>Reed Switch 20W/VA</b>                |

**The sensors work in all voltage and current ranges displayed in the table below:**

| Operating Voltage | Max. Switching Power | Max. Switching Current | Peak Current |
|-------------------|----------------------|------------------------|--------------|
| 110Vac            | 20VA                 | 0.2A                   | 0.5A @20ms   |
| 220Vac            | 20VA                 | 0.1A                   | 0.5A @20ms   |
| 5Vdc              | 2.5W                 | 0.5A                   | 1A @20ms     |
| 12Vdc             | 5W                   | 0.5A                   | 1A @20ms     |
| 24Vdc             | 10W                  | 0.5A                   | 1A @20ms     |

**24Vac:** NOT recommended

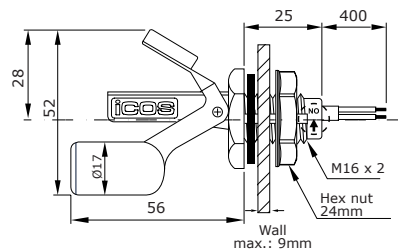


### Important!

- For cables longer than 20 meters.
- Relay coupler, timing relay, frequency inverter.

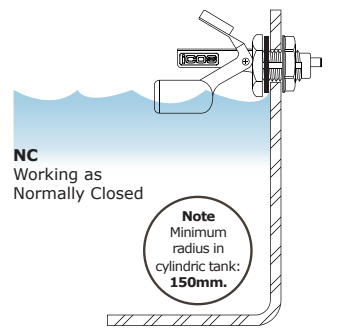
A series **resistor** must be installed.  
**Click and check how to install.**

### Dimensions (mm) and Weight

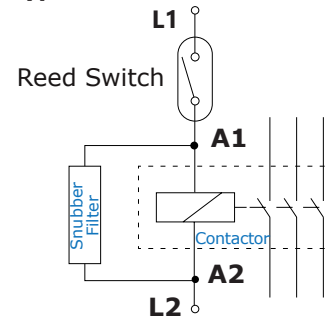


30g

### Mounting on surface



### Typical connection to contactor



level sensor | level switch | float level | float switch | magnetic level switch | liquid level controller

**Click and Check:**

**Models and Prices** | **Datasheets** | **Operation Videos**

Flow Switches and Level Switches for liquids

Make it easy

## LB26M-40

### Material

PP - Polypropylene  
(PA hex nut)



**How it works** Movement of the magnetic float opens/closes a hermetically sealed contact (reed switch).

- Details**
- Compact and low cost;
  - On/Off SPST output;
  - Operation can be normally closed.

- Typical applications**
- Tank liquid level control;
  - Pumps automation.



**Chemical products** require preliminary tests to confirm compatibility.

**Liquid with ferrous particles** should be avoided.

*Not suitable for fuel.*

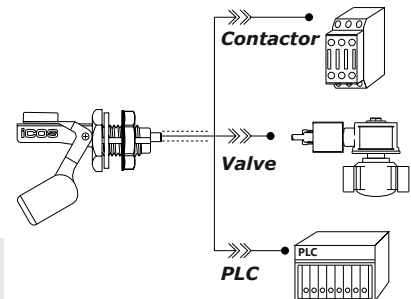
### Technical specifications

|                             |  |
|-----------------------------|--|
| Operating temperature range | <b>-10°C to 100°C</b>                    |
| Liquid minimum density (SG) | <b>0.64</b>                              |
| Sealing                     | <b>NBR gasket</b>                        |
| Output connection           | <b>Wire 2 x 0.5mm<sup>2</sup> x 40cm</b> |
| Enclosure rating            | <b>IP66</b>                              |
| Electrical contact          | <b>Reed Switch 20W/VA</b>                |

**The sensors work in all voltage and current ranges displayed in the table below:**

| Operating Voltage | Max. Switching Power | Max. Switching Current | Peak Current |
|-------------------|----------------------|------------------------|--------------|
| 110Vac            | 20VA                 | 0.2A                   | 0.5A @20ms   |
| 220Vac            | 20VA                 | 0.1A                   | 0.5A @20ms   |
| 5Vdc              | 2.5W                 | 0.5A                   | 1A @20ms     |
| 12Vdc             | 5W                   | 0.5A                   | 1A @20ms     |
| 24Vdc             | 10W                  | 0.5A                   | 1A @20ms     |

**24Vac:** NOT recommended

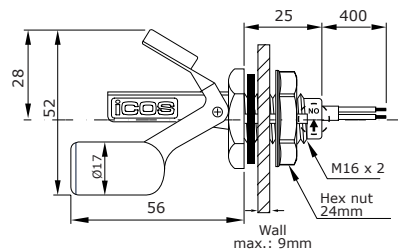


### Important!

- For cables longer than 20 meters.
- Relay coupler, timing relay, frequency inverter.

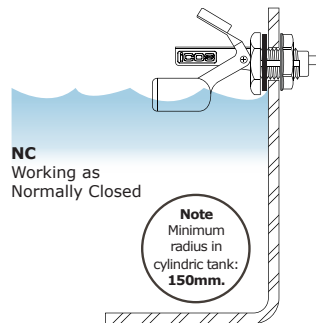
A series **resistor** must be installed.  
**Click and check how to install.**

### Dimensions (mm) and Weight

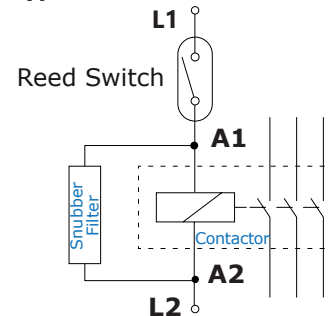


30g

### Mounting on surface



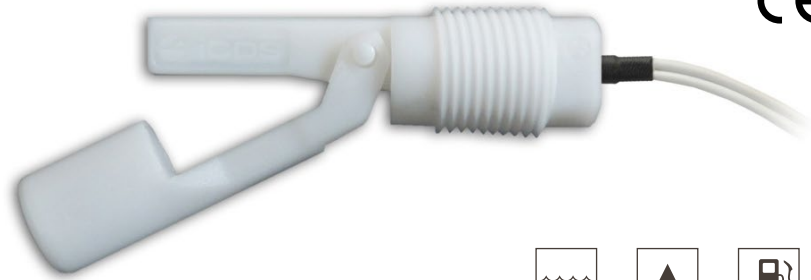
### Typical connection to contactor



## LA12N-40

### Material

POM - Polyacetal



**How it works** Movement of the magnetic float opens/closes a hermetically sealed contact ([reed switch](#)).

- Details**
- Compact and low cost;
  - On/Off SPST output;
  - Operation can be normally open or normally closed, by rotating the switch 180°.

- Typical applications**
- Tank liquid level control;
  - Pumps automation.



**Chemical products** require preliminary tests to confirm compatibility.

**Liquid with ferrous particles** should be avoided.

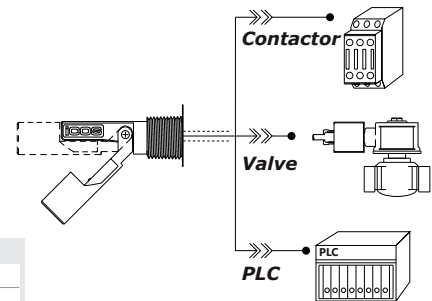
## Technical specifications

|                             |  |
|-----------------------------|--|
| Maximum operating pressure  | <b>2bar</b>                              |
| Operating temperature range | <b>-10°C to 100°C</b>                    |
| Liquid minimum density (SG) | <b>0.76</b>                              |
| Sealing                     | <b>Sealant tape</b>                      |
| Output connection           | <b>Wire 2 x 0.5mm<sup>2</sup> x 40cm</b> |
| Enclosure rating            | <b>IP66</b>                              |
| Electrical contact          | <b>Reed Switch 20W/VA</b>                |

**The sensors work in all voltage and current ranges displayed in the table below:**

| Operating Voltage | Max. Switching Power | Max. Switching Current | Peak Current |
|-------------------|----------------------|------------------------|--------------|
| 110Vac            | 20VA                 | 0.2A                   | 0.5A @20ms   |
| 220Vac            | 20VA                 | 0.1A                   | 0.5A @20ms   |
| 5Vdc              | 2.5W                 | 0.5A                   | 1A @20ms     |
| 12Vdc             | 5W                   | 0.5A                   | 1A @20ms     |
| 24Vdc             | 10W                  | 0.5A                   | 1A @20ms     |

**24Vac:** NOT recommended

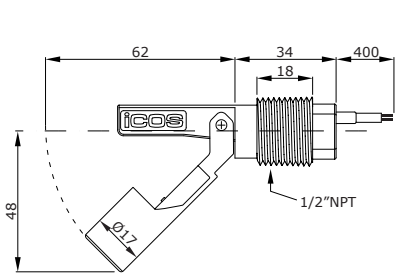


### Important!

- For cables longer than 20 meters.
- Relay coupler, timing relay, frequency inverter.

A series **resistor** must be installed.  
[Click and check how to install.](#)

### Dimensions (mm) and Weight

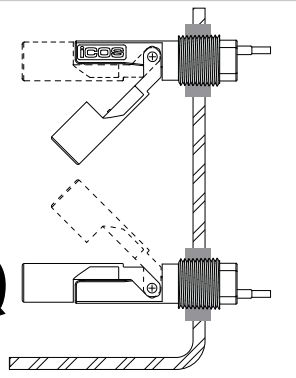


### Mounting

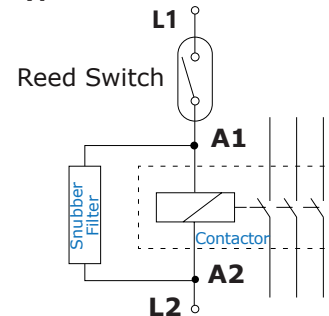
**NO**  
Working as  
Normally Open

**NC**  
Working as  
Normally Closed

180°



### Typical connection to contactor



level sensor | level switch | float level | float switch | magnetic level switch | liquid level controller

[Click and Check:](#)

[Models and Prices](#) | [Datasheets](#) | [Operation Videos](#)

Flow Switches and Level Switches for liquids

Make it easy

## LA22N-40

**Material**  
PP - Polypropylene



**How it works** Movement of the magnetic float opens/closes a hermetically sealed contact (reed switch).

- Details**
- Compact and low cost;
  - On/Off SPST output;
  - Operation can be normally open or normally closed, by rotating the switch 180°.

- Typical applications**
- Tank liquid level control;
  - Pumps automation.



**Chemical products** require preliminary tests to confirm compatibility.

**Liquid with ferrous particles** should be avoided.

*Not suitable for fuel.*

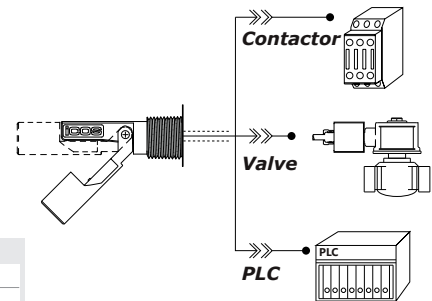
### Technical specifications

Maximum operating pressure **2bar**  
 Operating temperature range **-10°C to 100°C**  
 Liquid minimum density (SG) **0.68**  
 Sealing **Sealant tape**  
 Output connection **Wire 2 x 0.5mm<sup>2</sup> x 40cm**  
 Enclosure rating **IP66**  
 Electrical contact **Reed Switch 20W/VA**

**The sensors work in all voltage and current ranges displayed in the table below:**

| Operating Voltage | Max. Switching Power | Max. Switching Current | Peak Current |
|-------------------|----------------------|------------------------|--------------|
| 110Vac            | 20VA                 | 0.2A                   | 0.5A @20ms   |
| 220Vac            | 20VA                 | 0.1A                   | 0.5A @20ms   |
| 5Vdc              | 2.5W                 | 0.5A                   | 1A @20ms     |
| 12Vdc             | 5W                   | 0.5A                   | 1A @20ms     |
| 24Vdc             | 10W                  | 0.5A                   | 1A @20ms     |

**24Vac:** NOT recommended

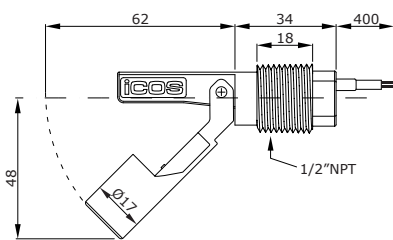


**Important!**

- For cables longer than 20 meters.
- Relay coupler, timing relay, frequency inverter.

A series **resistor** must be installed.  
[Click and check how to install.](#)

### Dimensions (mm) and Weight

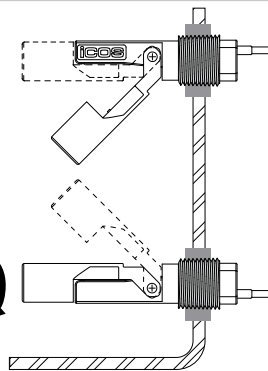


### Mounting

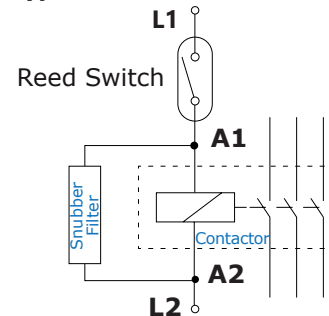
**NO**  
Working as  
Normally Open

**NC**  
Working as  
Normally Closed

180°



### Typical connection to contactor

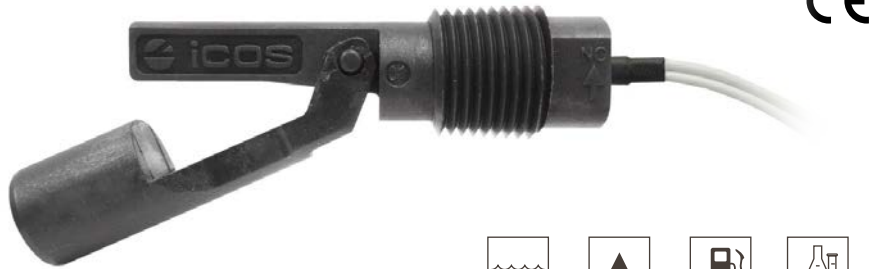




## LA32N-40

### Material

PPA - Polyphthalamide



**How it works** Movement of the magnetic float opens/closes a hermetically sealed contact (reed switch).

- Details**
- Compact and low cost;
  - On/Off SPST output;
  - Operation can be normally open or normally closed, by rotating the switch 180°.

- Typical applications**
- Tank liquid level control;
  - Pumps automation.



**Chemical products** require preliminary tests to confirm compatibility.

**Liquid with ferrous particles** should be avoided.

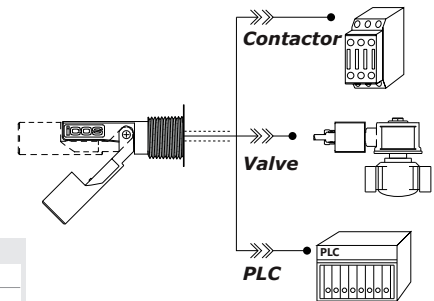
## Technical specifications

|                             |  |
|-----------------------------|--|
| Maximum operating pressure  | <b>2bar</b>                              |
| Operating temperature range | <b>-10°C to 125°C</b>                    |
| Liquid minimum density (SG) | <b>0.70</b>                              |
| Sealing                     | <b>Sealant tape</b>                      |
| Output connection           | <b>Wire 2 x 0.5mm<sup>2</sup> x 40cm</b> |
| Enclosure rating            | <b>IP66</b>                              |
| Electrical contact          | <b>Reed Switch 20W/VA</b>                |

**The sensors work in all voltage and current ranges displayed in the table below:**

| Operating Voltage | Max. Switching Power | Max. Switching Current | Peak Current |
|-------------------|----------------------|------------------------|--------------|
| 110Vac            | 20VA                 | 0.2A                   | 0.5A @20ms   |
| 220Vac            | 20VA                 | 0.1A                   | 0.5A @20ms   |
| 5Vdc              | 2.5W                 | 0.5A                   | 1A @20ms     |
| 12Vdc             | 5W                   | 0.5A                   | 1A @20ms     |
| 24Vdc             | 10W                  | 0.5A                   | 1A @20ms     |

**24Vac:** NOT recommended

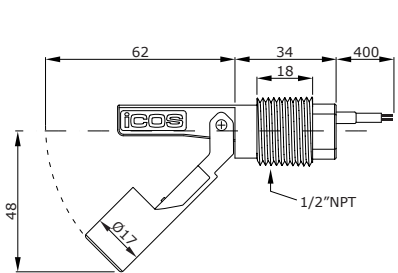


### Important!

- For cables longer than 20 meters.
- Relay coupler, timing relay, frequency inverter.

A series **resistor** must be installed.  
[Click and check how to install.](#)

### Dimensions (mm) and Weight

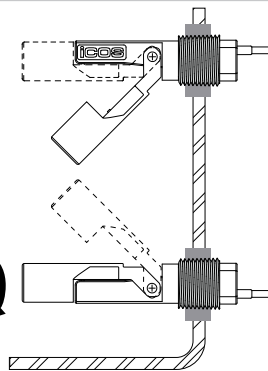


### Mounting

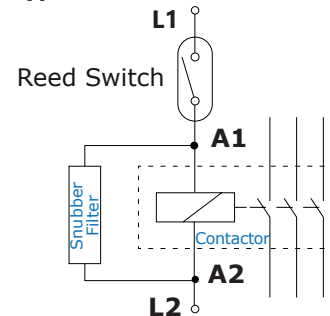
**NO**  
Working as  
Normally Open

**NC**  
Working as  
Normally Closed

180°



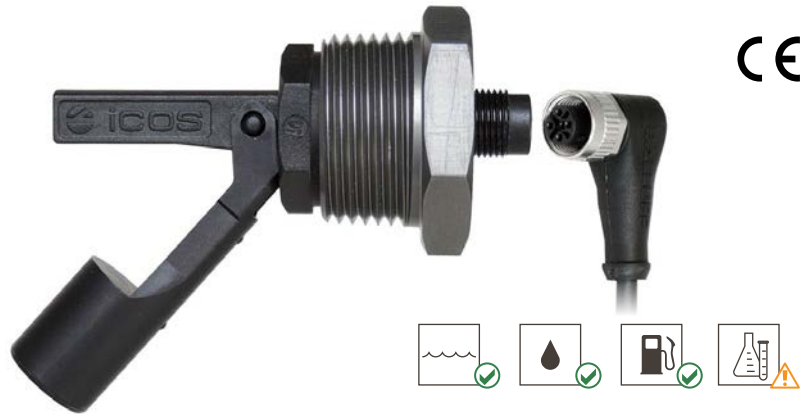
### Typical connection to contactor



## LA31N-M12

**Material**

PPA - Polyphthalamide



**How it works** Movement of the magnetic float opens/closes a hermetically sealed contact ([reed switch](#)).

**Details**

- Compact and low cost;
- On/Off SPST output;
- Operation can be normally open or normally closed, by rotating the switch 180°.

**Typical applications**

- Tank liquid level control;
- Pumps automation.



*Chemical products* require preliminary tests to confirm compatibility.

*Liquid with ferrous particles* should be avoided.

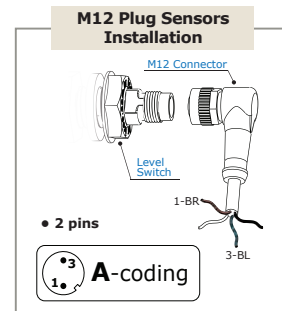
### Technical specifications

|                             |   |
|-----------------------------|---|
| Maximum operating pressure  | <b>2bar</b>   |
| Operating temperature range | <b>-10°C to 125°C</b>   |
| Liquid minimum density (SG) | <b>0.70</b>   |
| Sealing                     | <b>Sealant tape</b>   |
| Output connection           | <b>M12 male plug (2 pins)</b><br><b>M12 female connector NOT included</b> |
| Enclosure rating            | <b>IP66</b>   |
| Electrical contact          | <b>Reed Switch 20W/VA</b>   |
| Mounting                    | <b>External side - 1"NPT Aluminum Connector</b>                           |

*The sensors work in all voltage and current ranges displayed in the table below:*

| Operating Voltage | Max. Switching Power | Max. Switching Current | Peak Current |
|-------------------|----------------------|------------------------|--------------|
| 110Vac            | 20VA                 | 0.2A                   | 0.5A @20ms   |
| 220Vac            | 20VA                 | 0.1A                   | 0.5A @20ms   |
| 5Vdc              | 2.5W                 | 0.5A                   | 1A @20ms     |
| 12Vdc             | 5W                   | 0.5A                   | 1A @20ms     |
| 24Vdc             | 10W                  | 0.5A                   | 1A @20ms     |

**24Vac:** NOT recommended

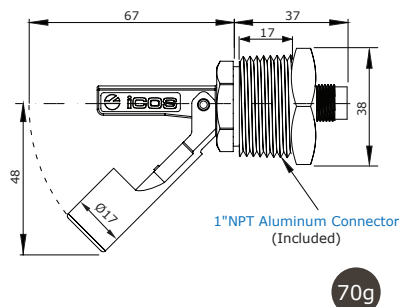


**Important!**

- For cables longer than 20 meters.
- Relay coupler, timing relay, frequency inverter.

A series **resistor** must be installed.  
[Click and check how to install.](#)

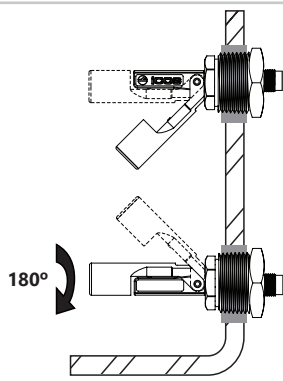
### Dimensions (mm) and Weight



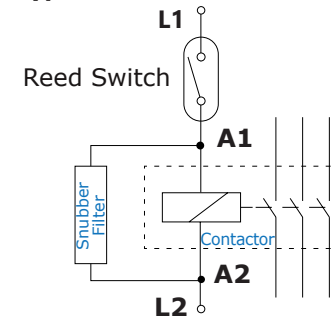
### Mounting

**NO**  
Working as  
Normally Open

**NC**  
Working as  
Normally Closed



### Typical connection to contactor



level sensor | level switch | float level | float switch | magnetic level switch | liquid level controller

[Click and Check:](#)

[Models and Prices](#) | [Datasheets](#) | [Operation Videos](#)

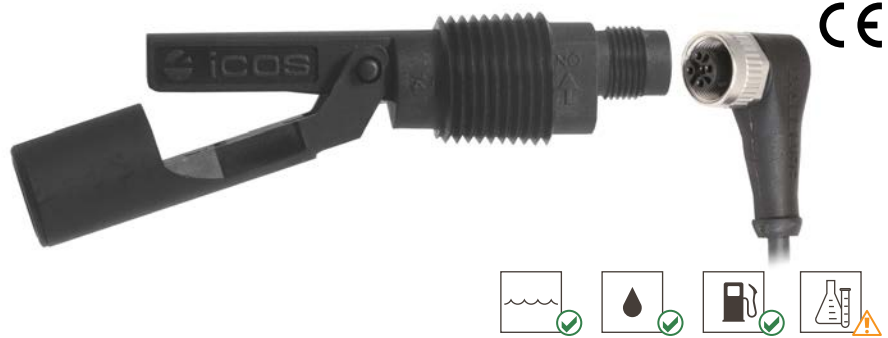
Flow Switches and Level Switches for liquids

Make it easy

## LA32-M12

### Material

PPA - Polyphthalamide



**How it works** Movement of the magnetic float opens/closes a hermetically sealed contact ([reed switch](#)).

### Details

- Compact and low cost;
- On/Off SPST output;
- Operation can be normally open or normally closed, by rotating the switch 180°.

### Typical applications

- Tank liquid level control;
- Pumps automation.



**Chemical products** require preliminary tests to confirm compatibility.

**Liquid with ferrous particles** should be avoided.

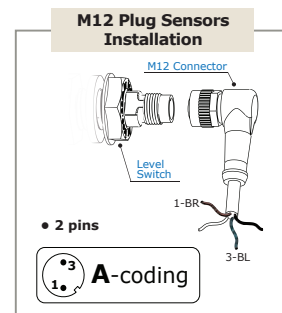
## Technical specifications

|                             |   |
|-----------------------------|---|
| Maximum operating pressure  | <b>2bar</b>   |
| Operating temperature range | <b>-10°C to 125°C</b>   |
| Liquid minimum density (SG) | <b>0.70</b>   |
| Sealing                     | <b>Sealant tape</b>   |
| Output connection           | <b>M12 male plug (2 pins)</b><br><b>M12 female connector NOT included</b> |
| Enclosure rating            | <b>IP66</b>   |
| Electrical contact          | <b>Reed Switch 20W/VA</b>   |

**The sensors work in all voltage and current ranges displayed in the table below:**

| Operating Voltage | Max. Switching Power | Max. Switching Current | Peak Current |
|-------------------|----------------------|------------------------|--------------|
| 110Vac            | 20VA                 | 0.2A                   | 0.5A @20ms   |
| 220Vac            | 20VA                 | 0.1A                   | 0.5A @20ms   |
| 5Vdc              | 2.5W                 | 0.5A                   | 1A @20ms     |
| 12Vdc             | 5W                   | 0.5A                   | 1A @20ms     |
| 24Vdc             | 10W                  | 0.5A                   | 1A @20ms     |

**24Vac:** NOT recommended

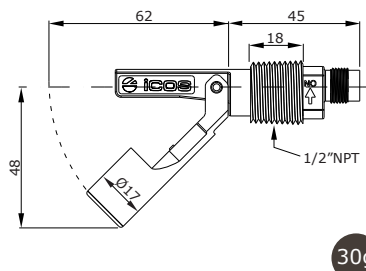


### Important!

- For cables longer than 20 meters.
- Relay coupler, timing relay, frequency inverter.

A series **resistor** must be installed.  
[Click and check how to install.](#)

### Dimensions (mm) and Weight

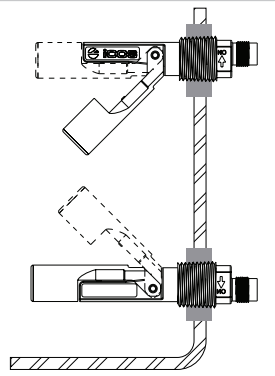


### Mounting

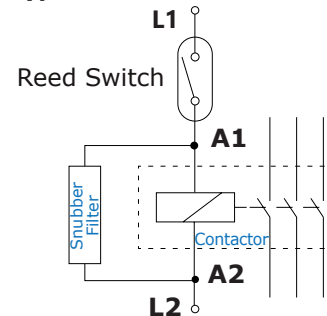
**NO**  
Working as  
Normally Open

**NC**  
Working as  
Normally Closed

180°



### Typical connection to contactor



level sensor | level switch | float level | float switch | magnetic level switch | liquid level controller

[Click and Check:](#)

[Models and Prices](#) | [Datasheets](#) | [Operation Videos](#)

Flow Switches and Level Switches for liquids

Make it easy

## LA322E-40

### Material

PPA - Polyphthalamide  
(PA hex nut)



**How it works** Movement of the magnetic float opens/closes a hermetically sealed contact (**reed switch**).

### Details

- Compact and low cost;
- On/Off SPST output;
- Operation can be normally open or normally closed, by rotating the switch 180°;
- Mounting in thin wall tank or closed tanks;
- Detect level of liquids in pipes.

### Typical applications

- Tank liquid level control;
- Pumps automation.



**Chemical products** require preliminary tests to confirm compatibility.

**Liquid with ferrous particles** should be avoided.

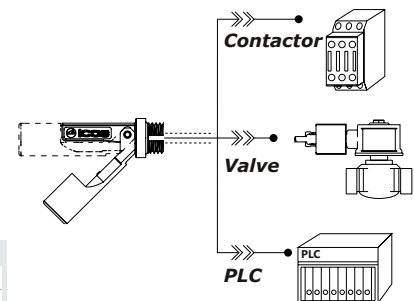
## Technical specifications

|                             |  |
|-----------------------------|--|
| Maximum operating pressure  | <b>2bar</b>                              |
| Operating temperature range | <b>-10°C to 125°C</b>                    |
| Liquid minimum density (SG) | <b>0.70</b>                              |
| Sealing                     | <b>NBR compression gasket</b>            |
| Output connection           | <b>Wire 2 x 0.5mm<sup>2</sup> x 40cm</b> |
| Enclosure rating            | <b>IP66</b>                              |
| Electrical contact          | <b>Reed Switch 20W/VA</b>                |

The sensors work in all voltage and current ranges displayed in the table below:

| Operating Voltage | Max. Switching Power | Max. Switching Current | Peak Current |
|-------------------|----------------------|------------------------|--------------|
| 110Vac            | 20VA                 | 0.2A                   | 0.5A @20ms   |
| 220Vac            | 20VA                 | 0.1A                   | 0.5A @20ms   |
| 5Vdc              | 2.5W                 | 0.5A                   | 1A @20ms     |
| 12Vdc             | 5W                   | 0.5A                   | 1A @20ms     |
| 24Vdc             | 10W                  | 0.5A                   | 1A @20ms     |

**24Vac:** NOT recommended

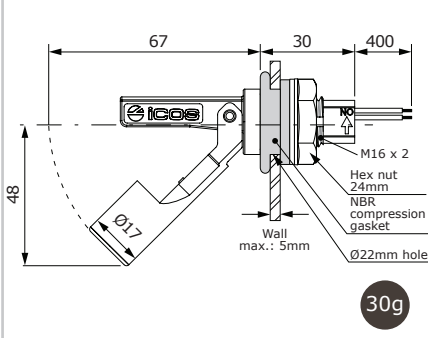


### Important!

- For cables longer than 20 meters.
- Relay coupler, timing relay, frequency inverter.

A series **resistor** must be installed.  
[Click and check how to install.](#)

### Dimensions (mm) and Weight

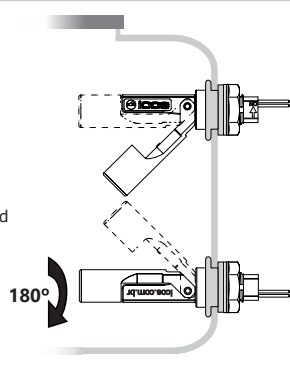


### Mounting

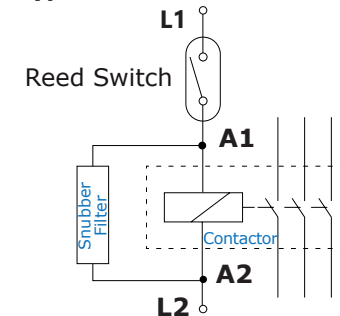
**NO**  
Working as  
Normally Open

**NC**  
Working as  
Normally Closed

**Note**  
Minimum  
radius in  
cylindric tank:  
**50mm.**



### Typical connection to contactor



level sensor | level switch | float level | float switch | magnetic level switch | liquid level controller

[Click and Check:](#)

[Models and Prices](#) | [Datasheets](#) | [Operation Videos](#)

Flow Switches and Level Switches for liquids

Make it easy

## LA322E-M12

**Material**

 PPA - Polyphthalamide  
 (PA hex nut)


**How it works** Movement of the magnetic float opens/closes a hermetically sealed contact (**reed switch**).

**Details**

- Compact and low cost;
- On/Off SPST output;
- Operation can be normally open or normally closed, by rotating the switch 180°;
- Mounting in thin wall tank or closed tanks;
- Detect level of liquids in pipes.

**Typical applications**

- Tank liquid level control;
- Pumps automation.



**Chemical products** require preliminary tests to confirm compatibility.

**Liquid with ferrous particles** should be avoided.

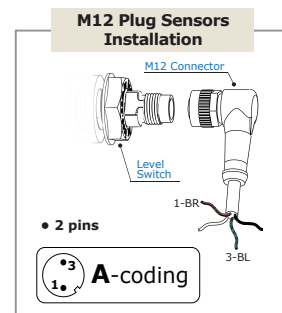
### Technical specifications

|                             |   |
|-----------------------------|---|
| Maximum operating pressure  | <b>2bar</b>   |
| Operating temperature range | <b>-10°C to 125°C</b>   |
| Liquid minimum density (SG) | <b>0.70</b>   |
| Sealing                     | <b>NBR compression gasket</b>   |
| Output connection           | <b>M12 male plug (2 pins)</b><br><b>M12 female connector NOT included</b> |
| Enclosure rating            | <b>IP66</b>   |
| Electrical contact          | <b>Reed Switch 20W/VA</b>   |

*The sensors work in all voltage and current ranges displayed in the table below:*

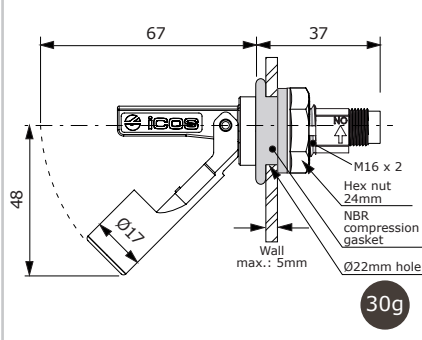
| Operating Voltage | Max. Switching Power | Max. Switching Current | Peak Current |
|-------------------|----------------------|------------------------|--------------|
| 110Vac            | 20VA                 | 0.2A                   | 0.5A @20ms   |
| 220Vac            | 20VA                 | 0.1A                   | 0.5A @20ms   |
| 5Vdc              | 2.5W                 | 0.5A                   | 1A @20ms     |
| 12Vdc             | 5W                   | 0.5A                   | 1A @20ms     |
| 24Vdc             | 10W                  | 0.5A                   | 1A @20ms     |

**24Vac:** NOT recommended


**Important!**

- For cables longer than 20 meters.
- Relay coupler, timing relay, frequency inverter.

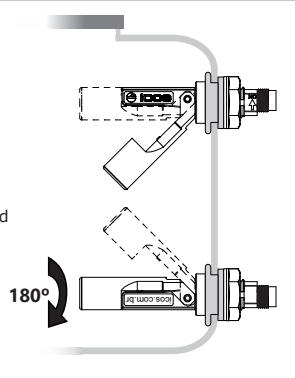
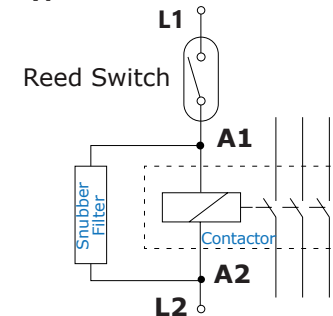
A series **resistor** must be installed.  
[Click and check how to install.](#)

**Dimensions (mm) and Weight**

**Mounting**

**NO**  
Working as  
Normally Open

**NC**  
Working as  
Normally Closed

**Note**  
Minimum  
radius in  
cylindric tank:  
**50mm.**


**Typical connection to contactor**


level sensor | level switch | float level | float switch | magnetic level switch | liquid level controller

**Click and Check:**

[Models and Prices](#) | [Datasheets](#) | [Operation Videos](#)

Flow Switches and Level Switches for liquids

Make it easy

## LF322E-M12

### Material

PPA - Polyphthalamide  
(PA hex nut)



**How it works** Movement of the magnetic float opens/closes a hermetically sealed contact (**reed switch**).

### Details

- Compact and low cost;
- On/Off SPST output;
- Operation can be normally open or normally closed, by rotating the switch 180°;
- Mounting in thin wall tank or closed tanks;
- Detect level of liquids in pipes and small storage tanks.

### Typical applications

- Tank liquid level control;
- For narrow water tanks and thin-walled containers.



**Chemical products** require preliminary tests to confirm compatibility.

**Liquid with ferrous particles** should be avoided.

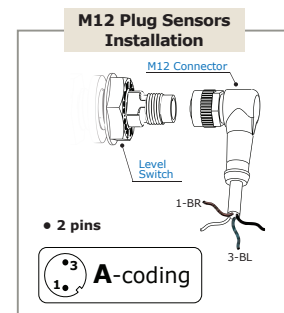
## Technical specifications

|                             |   |
|-----------------------------|---|
| Maximum operating pressure  | <b>2bar</b>   |
| Operating temperature range | <b>-10°C to 125°C</b>   |
| Liquid minimum density (SG) | <b>0.66</b>   |
| Sealing                     | <b>NBR compression gasket</b>   |
| Output connection           | <b>M12 male plug (2 pins)</b><br><b>M12 female connector NOT included</b> |
| Enclosure rating            | <b>IP66</b>   |
| Electrical contact          | <b>Reed Switch 20W/VA</b>   |

**The sensors work in all voltage and current ranges displayed in the table below:**

| Operating Voltage | Max. Switching Power | Max. Switching Current | Peak Current |
|-------------------|----------------------|------------------------|--------------|
| 110Vac            | 20VA                 | 0.2A                   | 0.5A @20ms   |
| 220Vac            | 20VA                 | 0.1A                   | 0.5A @20ms   |
| 5Vdc              | 2.5W                 | 0.5A                   | 1A @20ms     |
| 12Vdc             | 5W                   | 0.5A                   | 1A @20ms     |
| 24Vdc             | 10W                  | 0.5A                   | 1A @20ms     |

**24Vac:** NOT recommended

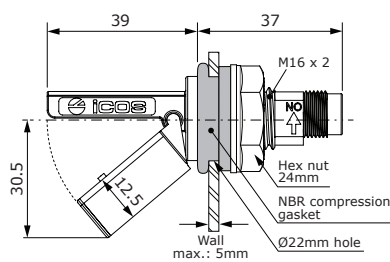


### Important!

- For cables longer than 20 meters.
- Relay coupler, timing relay, frequency inverter.

A series **resistor** must be installed.  
[Click and check how to install.](#)

### Dimensions (mm) and Weight



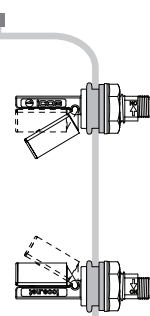
### Mounting

**NO**  
Working as  
Normally Open

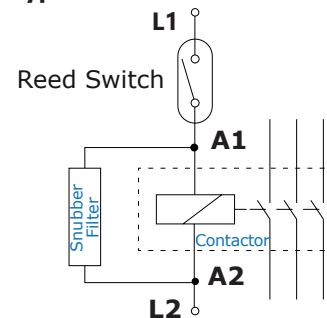
**NC**  
Working as  
Normally Closed

**Note**  
Minimum  
radius in  
cylindric tank:  
**50mm.**

180°



### Typical connection to contactor



level sensor | level switch | float level | float switch | magnetic level switch | liquid level controller

 [Click and Check:](#)

[Models and Prices](#) | [Datasheets](#) | [Operation Videos](#)

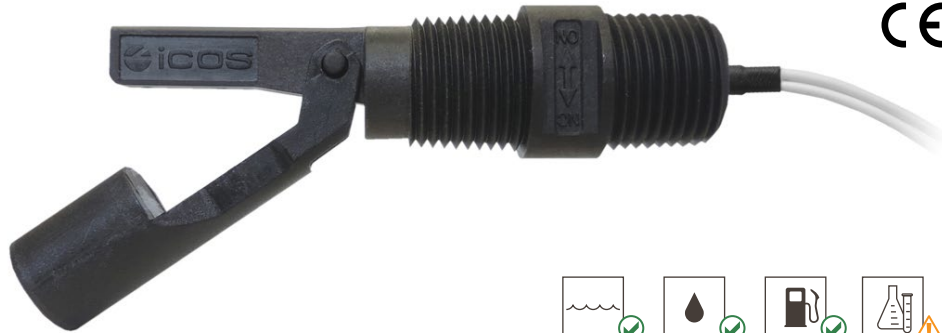
Flow Switches and Level Switches for liquids

Make it easy

## LA32N2-40

**Material**

PPA - Polyphthalamide



**How it works** Movement of the magnetic float opens/closes a hermetically sealed contact (reed switch).

**Details**

- Compact and low cost;
- On/Off SPST output;
- Operation can be normally open or normally closed, by rotating the switch 180°.

**Typical applications**

- Tank liquid level control;
- Pumps automation.



**Chemical products** require preliminary tests to confirm compatibility.

**Liquid with ferrous particles** should be avoided.

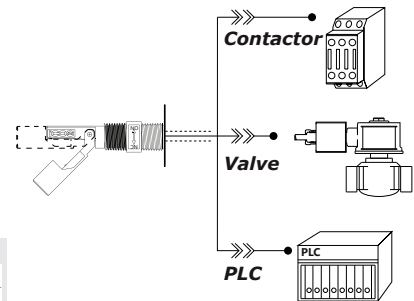
### Technical specifications

|                             |  |
|-----------------------------|--|
| Maximum operating pressure  | <b>2bar</b>                              |
| Operating temperature range | <b>-10°C to 125°C</b>                    |
| Liquid minimum density (SG) | <b>0.70</b>                              |
| Sealing                     | <b>Sealant tape</b>                      |
| Output connection           | <b>Wire 2 x 0.5mm<sup>2</sup> x 40cm</b> |
| Enclosure rating            | <b>IP66</b>                              |
| Electrical contact          | <b>Reed Switch 20W/VA</b>                |

The sensors work in all voltage and current ranges displayed in the table below:

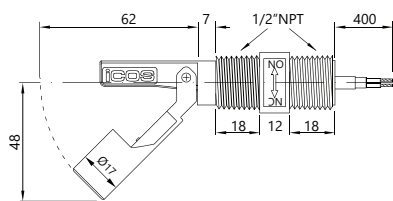
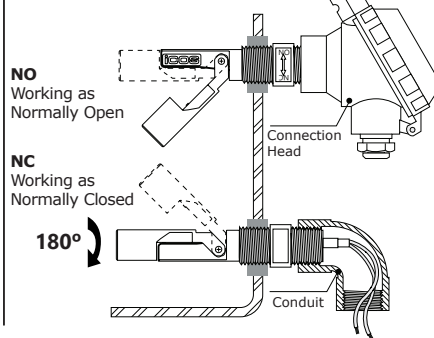
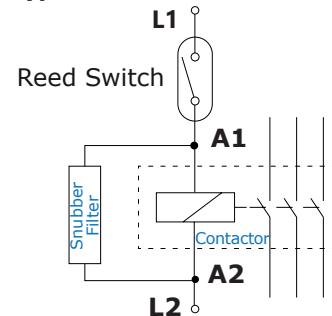
| Operating Voltage | Max. Switching Power | Max. Switching Current | Peak Current |
|-------------------|----------------------|------------------------|--------------|
| 110Vac            | 20VA                 | 0.2A                   | 0.5A @20ms   |
| 220Vac            | 20VA                 | 0.1A                   | 0.5A @20ms   |
| 5Vdc              | 2.5W                 | 0.5A                   | 1A @20ms     |
| 12Vdc             | 5W                   | 0.5A                   | 1A @20ms     |
| 24Vdc             | 10W                  | 0.5A                   | 1A @20ms     |

**24Vac:** NOT recommended


**Important!**

- For cables longer than 20 meters.
- Relay coupler, timing relay, frequency inverter.

A series **resistor** must be installed.  
[Click and check how to install.](#)

**Dimensions (mm) and Weight**

**Mounting**

**Typical connection to contactor**


level sensor | level switch | float level | float switch | magnetic level switch | liquid level controller

[Click and Check:](#)

[Models and Prices](#) | [Datasheets](#) | [Operation Videos](#)

Flow Switches and Level Switches for liquids

Make it easy

## LA32NP

### Material

PPA - Polyphthalamide



**How it works** Movement of the magnetic float opens/closes a hermetically sealed contact (reed switch).

- Details**
- On/Off SPST output;
  - Operation can be normally open or normally closed, by rotating the switch 180°.

- Typical applications**
- Tank liquid level control;
  - Pumps automation.



**Chemical products** require preliminary tests to confirm compatibility.

**Liquid with ferrous particles** should be avoided.

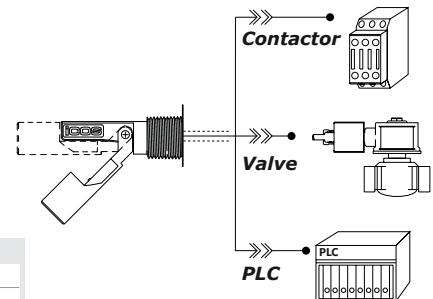
## Technical specifications

|                             |                                |
|-----------------------------|--------------------------------|
| Maximum operating pressure  | <b>2bar</b>                    |
| Operating temperature range | <b>-10°C to 125°C</b>          |
| Liquid minimum density (SG) | <b>0.70</b>                    |
| Sealing                     | <b>Sealant tape</b>            |
| Output connection           | <b>DIN 43650 Connector - B</b> |
| Enclosure rating            | <b>IP66</b>                    |
| Electrical contact          | <b>Reed Switch 20W/VA</b>      |

The sensors work in all voltage and current ranges displayed in the table below:

| Operating Voltage | Max. Switching Power | Max. Switching Current | Peak Current |
|-------------------|----------------------|------------------------|--------------|
| 110Vac            | 20VA                 | 0.2A                   | 0.5A @20ms   |
| 220Vac            | 20VA                 | 0.1A                   | 0.5A @20ms   |
| 5Vdc              | 2.5W                 | 0.5A                   | 1A @20ms     |
| 12Vdc             | 5W                   | 0.5A                   | 1A @20ms     |
| 24Vdc             | 10W                  | 0.5A                   | 1A @20ms     |

**24Vac:** NOT recommended

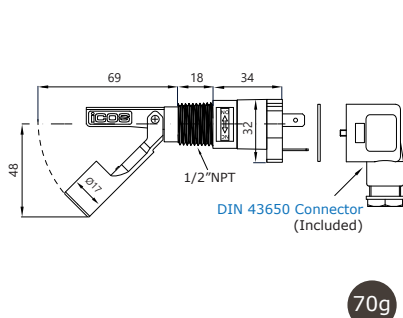


### Important!

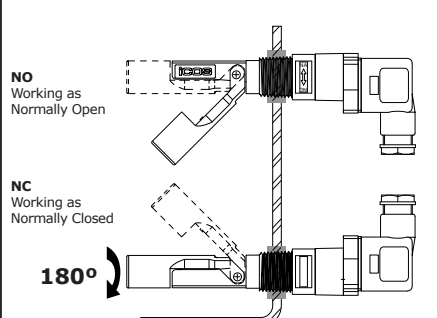
- For cables longer than 20 meters.
- Relay coupler, timing relay, frequency inverter.

A series **resistor** must be installed.  
[Click and check how to install.](#)

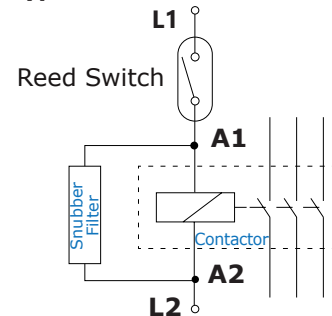
## Dimensions (mm) and Weight



## Mounting



## Typical connection to contactor



level sensor | level switch | float level | float switch | magnetic level switch | liquid level controller

[Click and Check:](#)

[Models and Prices](#) | [Datasheets](#) | [Operation Videos](#)

Flow Switches and Level Switches for liquids

Make it easy



## LC26M-40

### Material

PP - Polypropylene  
(PA hex nut)



**How it works** Movement of the magnetic float opens/closes a hermetically sealed contact (reed switch).

- Details**
- Compact and low cost;
  - On/Off SPST output;
  - Work as normally open or normally closed, by inverting float position.

- Typical applications**
- Tank liquid level control;
  - Pumps automation.



**Chemical products** require preliminary tests to confirm compatibility.

**Liquid with ferrous particles** should be avoided.

*Not suitable for fuel.*

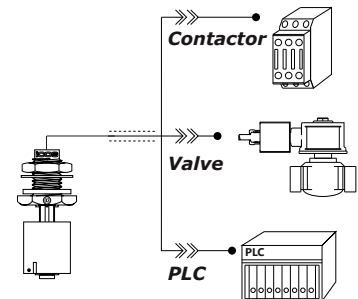
### Technical specifications

|                             |  |
|-----------------------------|--|
| Maximum operating pressure  | <b>2bar</b>                              |
| Operating temperature range | <b>-10°C to 90°C</b>                     |
| Liquid minimum density (SG) | <b>0.70</b>                              |
| Sealing                     | <b>NBR gasket</b>                        |
| Output connection           | <b>Wire 2 x 0.5mm<sup>2</sup> x 40cm</b> |
| Enclosure rating            | <b>IP66</b>                              |
| Electrical contact          | <b>Reed Switch 20W/VA</b>                |

**The sensors work in all voltage and current ranges displayed in the table below:**

| Operating Voltage | Max. Switching Power | Max. Switching Current | Peak Current |
|-------------------|----------------------|------------------------|--------------|
| 110Vac            | 20VA                 | 0.2A                   | 0.5A @20ms   |
| 220Vac            | 20VA                 | 0.1A                   | 0.5A @20ms   |
| 5Vdc              | 2.5W                 | 0.5A                   | 1A @20ms     |
| 12Vdc             | 5W                   | 0.5A                   | 1A @20ms     |
| 24Vdc             | 10W                  | 0.5A                   | 1A @20ms     |

**24Vac:** NOT recommended

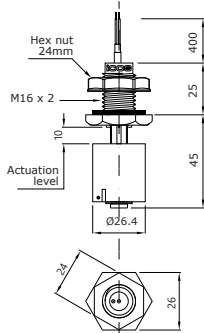


### Important!

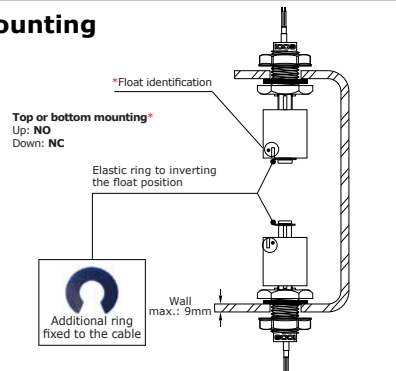
- For cables longer than 20 meters.
- Relay coupler, timing relay, frequency inverter.

A series **resistor** must be installed.  
[Click and check how to install.](#)

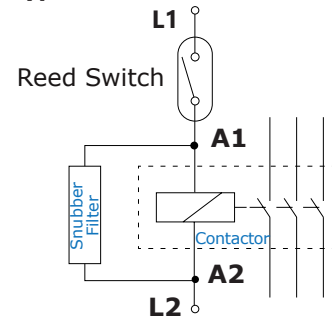
### Dimensions (mm) and Weight



### Mounting



### Typical connection to contactor



level sensor | level switch | float level | float switch | magnetic level switch | liquid level controller

[Click and Check:](#)

[Models and Prices](#) | [Datasheets](#) | [Operation Videos](#)

Flow Switches and Level Switches for liquids

Make it easy

## LC36M-40

### Material

PPA - Polyphthalamide  
(PA hex nut)



**How it works** Movement of the magnetic float opens/closes a hermetically sealed contact (reed switch).

- Details**
- Compact and low cost;
  - On/Off SPST output;
  - Work as normally open or normally closed, by inverting float position.

- Typical applications**
- Tank liquid level control;
  - Pumps automation.



**Chemical products** require preliminary tests to confirm compatibility.

**Liquid with ferrous particles** should be avoided.

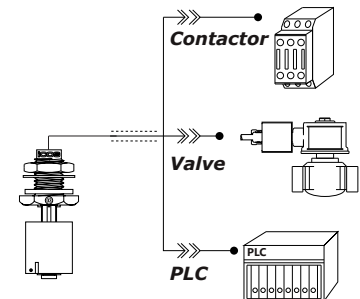
## Technical specifications

Maximum operating pressure **2bar**  
 Operating temperature range **-10°C to 90°C**  
 Liquid minimum density (SG) **0.70**  
 Sealing **NBR gasket**  
 Output connection **Wire 2 x 0.5mm<sup>2</sup> x 40cm**  
 Enclosure rating **IP66**  
 Electrical contact **Reed Switch 20W/VA**

**The sensors work in all voltage and current ranges displayed in the table below:**

| Operating Voltage | Max. Switching Power | Max. Switching Current | Peak Current |
|-------------------|----------------------|------------------------|--------------|
| 110Vac            | 20VA                 | 0.2A                   | 0.5A @20ms   |
| 220Vac            | 20VA                 | 0.1A                   | 0.5A @20ms   |
| 5Vdc              | 2.5W                 | 0.5A                   | 1A @20ms     |
| 12Vdc             | 5W                   | 0.5A                   | 1A @20ms     |
| 24Vdc             | 10W                  | 0.5A                   | 1A @20ms     |

**24Vac:** NOT recommended

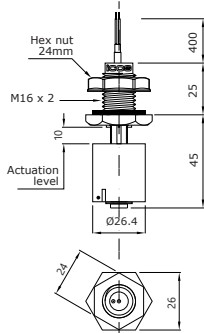


### Important!

- For cables longer than 20 meters.
- Relay coupler, timing relay, frequency inverter.

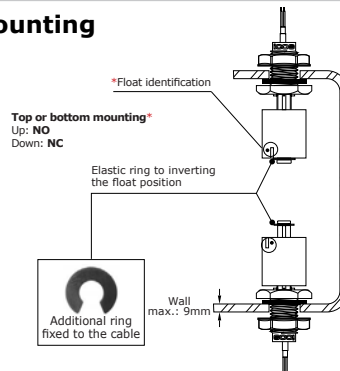
A series **resistor** must be installed.  
[Click and check how to install.](#)

## Dimensions (mm) and Weight

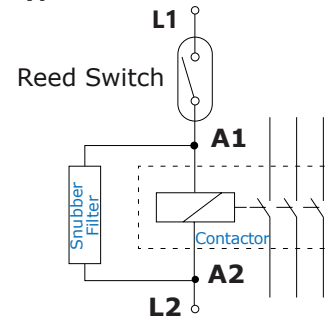


30g

## Mounting



## Typical connection to contactor



level sensor | level switch | float level | float switch | magnetic level switch | liquid level controller

 [Click and Check:](#)

[Models and Prices](#) | [Datasheets](#) | [Operation Videos](#)

Flow Switches and Level Switches for liquids

Make it easy

## LV42A-40

### Material

PVC - Polyvinyl Chloride



**How it works** Movement of the magnetic float opens/closes a hermetically sealed contact ([reed switch](#)).

- Details**
- Compact and low cost;
  - On/Off SPST output;
  - Work as normally open or normally closed, by inverting float position.

- Advantages**
- **100% PVC** (sensor + fittings and tubes) in your installation;
  - Wide chemical compatibility;
  - Determine the points of acting in your level control.

- Typical applications**
- Tank liquid level control;
  - Pipes, tanks, intermediate bulk containers (IBC) and artesian wells.



**Chemical products** require preliminary tests to confirm compatibility.

**Liquid with ferrous particles** should be avoided.

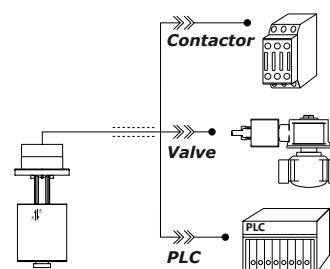
## Technical specifications

|                             |  |
|-----------------------------|--|
| Maximum operating pressure  | <b>2bar</b>                              |
| Operating temperature range | <b>5°C to 50°C</b>                       |
| Liquid minimum density (SG) | <b>0.60</b>                              |
| Output connection           | <b>Wire 2 x 0.5mm<sup>2</sup> x 40cm</b> |
| Enclosure rating            | <b>IP66</b>                              |
| Electrical contact          | <b>Reed Switch 20W/VA</b>                |

**The sensors work in all voltage and current ranges displayed in the table below:**

| Operating Voltage | Max. Switching Power | Max. Switching Current | Peak Current |
|-------------------|----------------------|------------------------|--------------|
| 110Vac            | 20VA                 | 0.2A                   | 0.5A @20ms   |
| 220Vac            | 20VA                 | 0.1A                   | 0.5A @20ms   |
| 5Vdc              | 2.5W                 | 0.5A                   | 1A @20ms     |
| 12Vdc             | 5W                   | 0.5A                   | 1A @20ms     |
| 24Vdc             | 10W                  | 0.5A                   | 1A @20ms     |

**24Vac:** NOT recommended

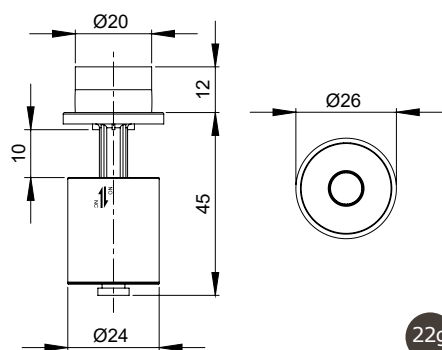


### Important!

- For cables longer than 20 meters.
- Relay coupler, timing relay, frequency inverter.

A series **resistor** must be installed.  
[Click and check how to install.](#)

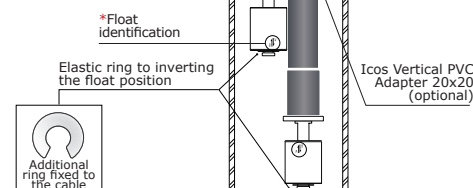
## Dimensions (mm) and Weight



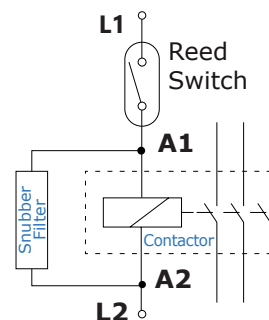
22g

## Mounting

**Top mounting\***  
Up: **NO**  
Down: **NC**



## Typical connection to contactor



level sensor | level switch | float level | float switch | magnetic level switch | liquid level controller

 [Click and Check:](#)

[Models and Prices](#) | [Datasheets](#) | [Operation Videos](#)

Flow Switches and Level Switches for liquids

Make it easy

## LC36-M12

### Material

PPA - Polyphthalamide  
(PA hex nut)



**How it works** Movement of the magnetic float opens/closes a hermetically sealed contact (reed switch).

- Details**
- Compact and low cost;
  - On/Off SPST output;
  - Work as normally open or normally closed, by inverting float position.

- Typical applications**
- Tank liquid level control;
  - Pumps automation.



**Chemical products** require preliminary tests to confirm compatibility.

**Liquid with ferrous particles** should be avoided.

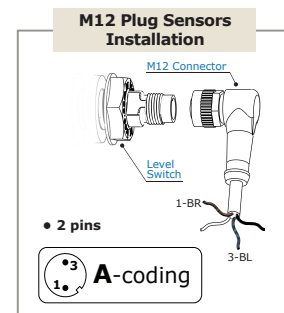
## Technical specifications

|                             |   |
|-----------------------------|---|
| Maximum operating pressure  | <b>2bar</b>   |
| Operating temperature range | <b>-10°C to 90°C</b>  |
| Liquid minimum density (SG) | <b>0.70</b>   |
| Sealing                     | <b>NBR gasket</b>   |
| Output connection           | <b>M12 male plug (2 pins)</b><br><b>M12 female connector NOT included</b> |
| Enclosure rating            | <b>IP66</b>   |
| Electrical contact          | <b>Reed Switch 20W/VA</b>   |

The sensors work in all voltage and current ranges displayed in the table below:

| Operating Voltage | Max. Switching Power | Max. Switching Current | Peak Current |
|-------------------|----------------------|------------------------|--------------|
| 110Vac            | 20VA                 | 0.2A                   | 0.5A @20ms   |
| 220Vac            | 20VA                 | 0.1A                   | 0.5A @20ms   |
| 5Vdc              | 2.5W                 | 0.5A                   | 1A @20ms     |
| 12Vdc             | 5W                   | 0.5A                   | 1A @20ms     |
| 24Vdc             | 10W                  | 0.5A                   | 1A @20ms     |

**24Vac:** NOT recommended

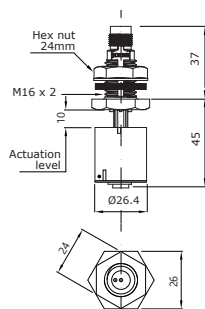


### Important!

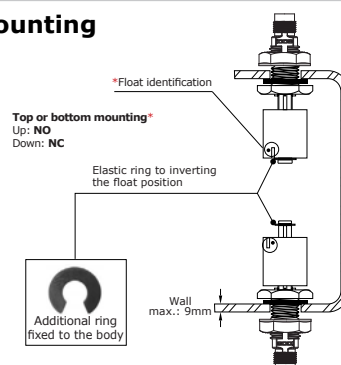
- For cables longer than 20 meters.
- Relay coupler, timing relay, frequency inverter.

A series **resistor** must be installed.  
**Click and check how to install.**

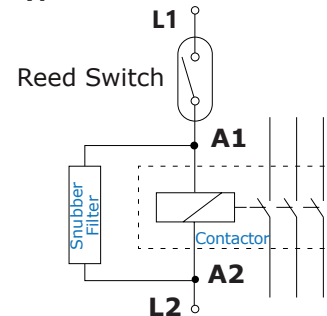
## Dimensions (mm) and Weight



## Mounting



## Typical connection to contactor



level sensor | level switch | float level | float switch | magnetic level switch | liquid level controller

 **Click and Check:**

[Models and Prices](#) | [Datasheets](#) | [Operation Videos](#)

Flow Switches and Level Switches for liquids

Make it easy

## LD361-M12

### Material

PPA - Polyphthalamide  
(PA hex nut)



**How it works** Movement of the magnetic float opens/closes a hermetically sealed contact ([reed switch](#)).

- Details**
- 100mm length;
  - On/Off SPST output;
  - Work as normally open or normally closed, by inverting float position;
  - M12 output connection.

- Typical applications**
- Tank liquid level control in 1 point;
  - Pumps automation;
  - Machine tools.



**Chemical products** require preliminary tests to confirm compatibility.

**Liquid with ferrous particles** should be avoided.

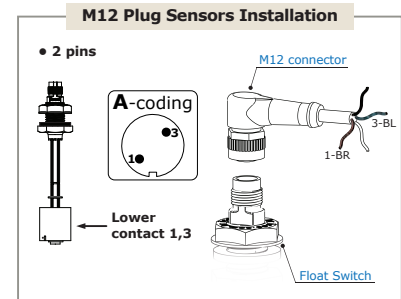
### Technical specifications

|                             |   |
|-----------------------------|---|
| Maximum operating pressure  | <b>2bar</b>   |
| Operating temperature range | <b>-10°C to 90°C</b>  |
| Liquid minimum density (SG) | <b>0.70</b>   |
| Sealing                     | <b>NBR gasket</b>   |
| Output connection           | <b>M12 male plug (2 pins)</b><br><b>M12 female connector NOT included</b> |
| Enclosure rating            | <b>IP66</b>   |
| Electrical contact          | <b>Reed Switch 20W/VA</b>   |

**The sensors work in all voltage and current ranges displayed in the table below:**

| Operating Voltage | Max. Switching Power | Max. Switching Current | Peak Current |
|-------------------|----------------------|------------------------|--------------|
| 110Vac            | 20VA                 | 0.2A                   | 0.5A @20ms   |
| 220Vac            | 20VA                 | 0.1A                   | 0.5A @20ms   |
| 5Vdc              | 2.5W                 | 0.5A                   | 1A @20ms     |
| 12Vdc             | 5W                   | 0.5A                   | 1A @20ms     |
| 24Vdc             | 10W                  | 0.5A                   | 1A @20ms     |

**24Vac:** NOT recommended

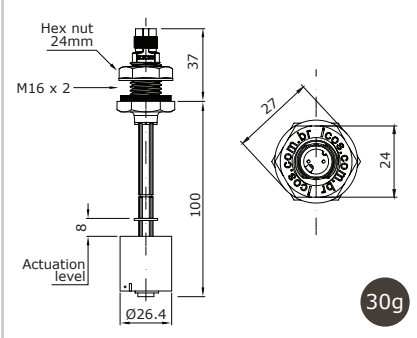


### Important!

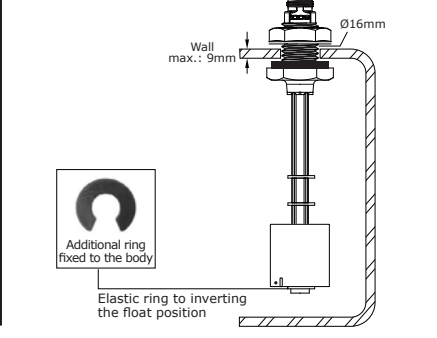
- For cables longer than 20 meters.
- Relay coupler, timing relay, frequency inverter.

A series **resistor** must be installed.  
[Click and check how to install.](#)

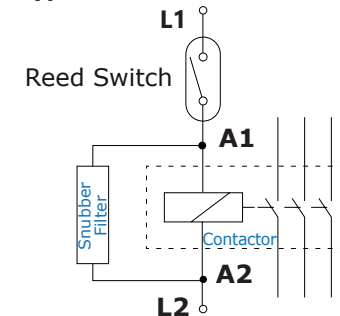
### Dimensions (mm) and Weight



### Mounting



### Typical connection to contactor



level sensor | level switch | float level | float switch | magnetic level switch | liquid level controller

**Click and Check:**

[Models and Prices](#) | [Datasheets](#) | [Operation Videos](#)

Flow Switches and Level Switches for liquids

Make it easy

## LD362-M12

### Material

PPA - Polyphthalamide  
(PA hex nut)



**How it works** Movement of the magnetic float opens/closes a hermetically sealed contact ([reed switch](#)).

- Details**
- 100mm length;
  - On/Off SPST output;
  - Work as normally open or normally closed, by inverting float position;
  - M12 output connection.

- Typical applications**
- Tank liquid level control in 2 points;
  - Pumps automation;
  - Machine tools.



**Chemical products** require preliminary tests to confirm compatibility.  
**Liquid with ferrous particles** should be avoided.

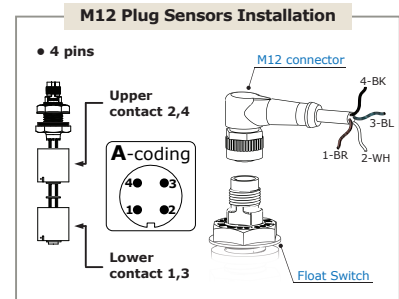
### Technical specifications

|                             |   |
|-----------------------------|---|
| Maximum operating pressure  | <b>2bar</b>   |
| Operating temperature range | <b>-10°C to 90°C</b>  |
| Liquid minimum density (SG) | <b>0.70</b>   |
| Sealing                     | <b>NBR gasket</b>   |
| Output connection           | <b>M12 male plug (4 pins)</b><br><b>M12 female connector NOT included</b> |
| Enclosure rating            | <b>IP66</b>   |
| Electrical contact          | <b>Reed Switch 20W/VA</b>   |

The sensors work in all voltage and current ranges displayed in the table below:

| Operating Voltage | Max. Switching Power | Max. Switching Current | Peak Current |
|-------------------|----------------------|------------------------|--------------|
| 110Vac            | 20VA                 | 0.2A                   | 0.5A @20ms   |
| 220Vac            | 20VA                 | 0.1A                   | 0.5A @20ms   |
| 5Vdc              | 2.5W                 | 0.5A                   | 1A @20ms     |
| 12Vdc             | 5W                   | 0.5A                   | 1A @20ms     |
| 24Vdc             | 10W                  | 0.5A                   | 1A @20ms     |

**24Vac:** NOT recommended

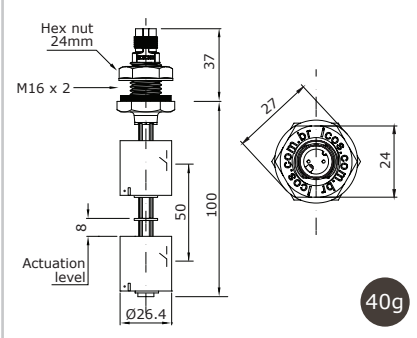


### Important!

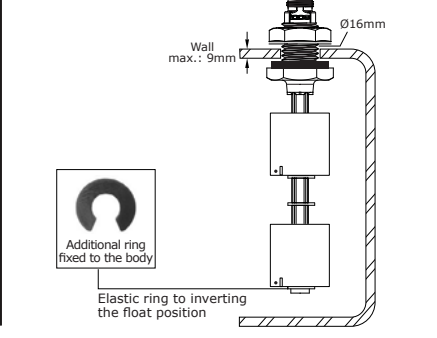
- For cables longer than 20 meters.
- Relay coupler, timing relay, frequency inverter.

A series **resistor** must be installed.  
[Click and check how to install.](#)

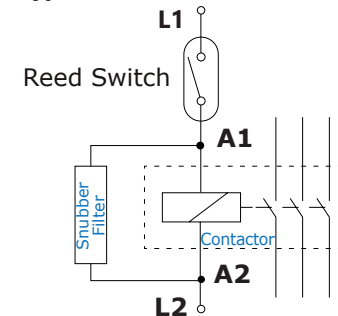
### Dimensions (mm) and Weight



### Mounting



### Typical connection to contactor



level sensor | level switch | float level | float switch | magnetic level switch | liquid level controller

[Click and Check:](#)

[Models and Prices](#) | [Datasheets](#) | [Operation Videos](#)

Flow Switches and Level Switches for liquids

Make it easy

## LE151-M12

### Material

PPA - Polyphthalamide  
(PA hex nut)



**How it works** Movement of the magnetic float opens/closes a hermetically sealed contact ([reed switch](#)).

- Details**
- 150mm length;
  - On/Off SPST output;
  - Work as normally open or normally closed, by inverting float position;
  - M12 output connection.

- Typical applications**
- Tank liquid level control in 1 point;
  - Pumps automation;
  - Machine tools.



**Chemical products** require preliminary tests to confirm compatibility.  
**Liquid with ferrous particles** should be avoided.

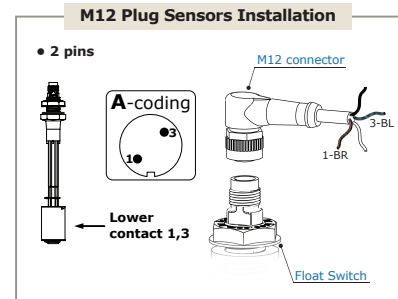
### Technical specifications

|                             |   |
|-----------------------------|---|
| Maximum operating pressure  | <b>2bar</b>   |
| Operating temperature range | <b>-10°C to 90°C</b>  |
| Liquid minimum density (SG) | <b>0.70</b>   |
| Sealing                     | <b>NBR gasket</b>   |
| Output connection           | <b>M12 male plug (2 pins)</b><br><b>M12 female connector NOT included</b> |
| Enclosure rating            | <b>IP66</b>   |
| Electrical contact          | <b>Reed Switch 20W/VA</b>   |

*The sensors work in all voltage and current ranges displayed in the table below:*

| Operating Voltage | Max. Switching Power | Max. Switching Current | Peak Current |
|-------------------|----------------------|------------------------|--------------|
| 110Vac            | 20VA                 | 0.2A                   | 0.5A @20ms   |
| 220Vac            | 20VA                 | 0.1A                   | 0.5A @20ms   |
| 5Vdc              | 2.5W                 | 0.5A                   | 1A @20ms     |
| 12Vdc             | 5W                   | 0.5A                   | 1A @20ms     |
| 24Vdc             | 10W                  | 0.5A                   | 1A @20ms     |

**24Vac:** NOT recommended

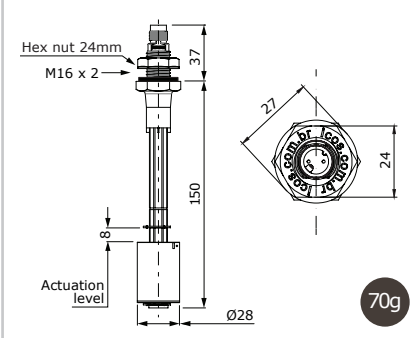


### Important!

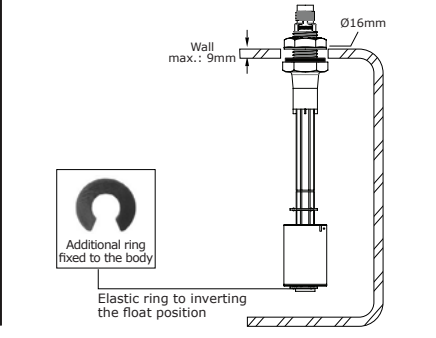
- For cables longer than 20 meters.
- Relay coupler, timing relay, frequency inverter.

A series **resistor** must be installed.  
[Click and check how to install.](#)

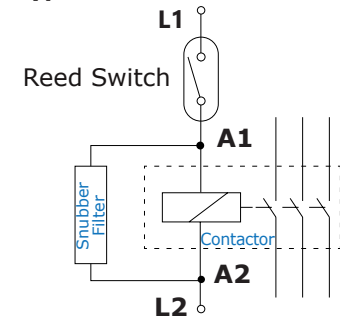
### Dimensions (mm) and Weight



### Mounting



### Typical connection to contactor



level sensor | level switch | float level | float switch | magnetic level switch | liquid level controller

[Click and Check:](#)

[Models and Prices](#) | [Datasheets](#) | [Operation Videos](#)

Flow Switches and Level Switches for liquids

Make it easy

## LE152-1-M12

### Material

PPA - Polyphthalamide  
(PA hex nut)



**How it works** Movement of the magnetic float opens/closes a hermetically sealed contact ([reed switch](#)).

- Details**
- 150mm length;
  - On/Off SPST output;
  - Work as normally open or normally closed, by inverting float position;
  - M12 output connection.

- Typical applications**
- Tank liquid level control in 2 points;
  - Pumps automation;
  - Machine tools.



**Chemical products** require preliminary tests to confirm compatibility.

**Liquid with ferrous particles** should be avoided.

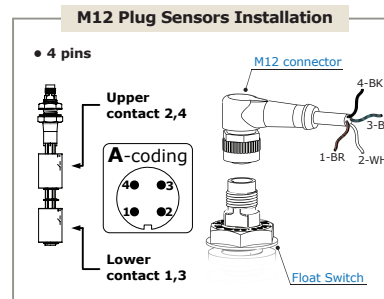
## Technical specifications

|                             |   |
|-----------------------------|---|
| Maximum operating pressure  | <b>2bar</b>   |
| Operating temperature range | <b>-10°C to 90°C</b>  |
| Liquid minimum density (SG) | <b>0.70</b>   |
| Sealing                     | <b>NBR gasket</b>   |
| Output connection           | <b>M12 male plug (4 pins)</b><br><b>M12 female connector NOT included</b> |
| Enclosure rating            | <b>IP66</b>   |
| Electrical contact          | <b>Reed Switch 20W/VA</b>   |

*The sensors work in all voltage and current ranges displayed in the table below:*

| Operating Voltage | Max. Switching Power | Max. Switching Current | Peak Current |
|-------------------|----------------------|------------------------|--------------|
| 110Vac            | 20VA                 | 0.2A                   | 0.5A @20ms   |
| 220Vac            | 20VA                 | 0.1A                   | 0.5A @20ms   |
| 5Vdc              | 2.5W                 | 0.5A                   | 1A @20ms     |
| 12Vdc             | 5W                   | 0.5A                   | 1A @20ms     |
| 24Vdc             | 10W                  | 0.5A                   | 1A @20ms     |

**24Vac:** NOT recommended

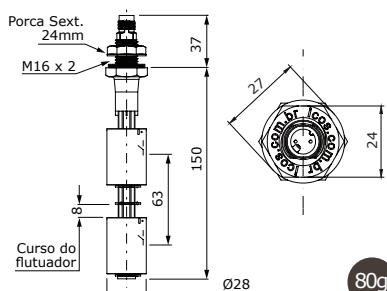


### Important!

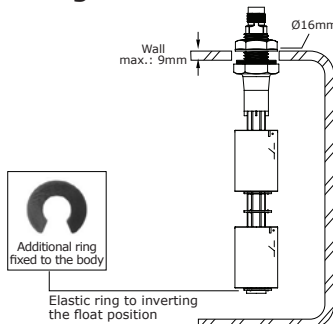
- For cables longer than 20 meters.
- Relay coupler, timing relay, frequency inverter.

A series **resistor** must be installed.  
[Click and check how to install.](#)

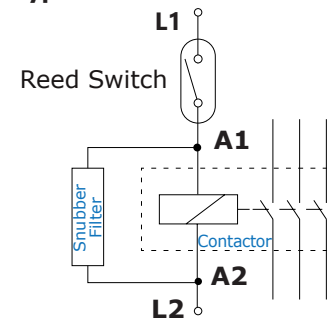
## Dimensions (mm) and Weight



## Mounting



## Typical connection to contactor



level sensor | level switch | float level | float switch | magnetic level switch | liquid level controller

[Click and Check:](#)

[Models and Prices](#) | [Datasheets](#) | [Operation Videos](#)

Flow Switches and Level Switches for liquids

Make it easy



## LE201-M12

### Material

PPA - Polyphthalamide  
(PA hex nut)



**How it works** Movement of the magnetic float opens/closes a hermetically sealed contact ([reed switch](#)).

- Details**
- 200mm length;
  - On/Off SPST output;
  - Work as normally open or normally closed, by inverting float position;
  - M12 output connection.

- Typical applications**
- Tank liquid level control in 1 point;
  - Pumps automation;
  - Machine tools.



**Chemical products** require preliminary tests to confirm compatibility.  
**Liquid with ferrous particles** should be avoided.

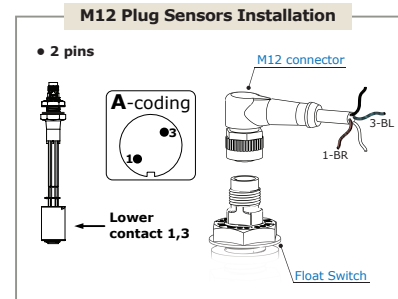
### Technical specifications

|                             |   |
|-----------------------------|---|
| Maximum operating pressure  | <b>2bar</b>   |
| Operating temperature range | <b>-10°C to 90°C</b>  |
| Liquid minimum density (SG) | <b>0.70</b>   |
| Sealing                     | <b>NBR gasket</b>   |
| Output connection           | <b>M12 male plug (2 pins)</b><br><b>M12 female connector NOT included</b> |
| Enclosure rating            | <b>IP66</b>   |
| Electrical contact          | <b>Reed Switch 20W/VA</b>   |

*The sensors work in all voltage and current ranges displayed in the table below:*

| Operating Voltage | Max. Switching Power | Max. Switching Current | Peak Current |
|-------------------|----------------------|------------------------|--------------|
| 110Vac            | 20VA                 | 0.2A                   | 0.5A @20ms   |
| 220Vac            | 20VA                 | 0.1A                   | 0.5A @20ms   |
| 5Vdc              | 2.5W                 | 0.5A                   | 1A @20ms     |
| 12Vdc             | 5W                   | 0.5A                   | 1A @20ms     |
| 24Vdc             | 10W                  | 0.5A                   | 1A @20ms     |

**24Vac:** NOT recommended

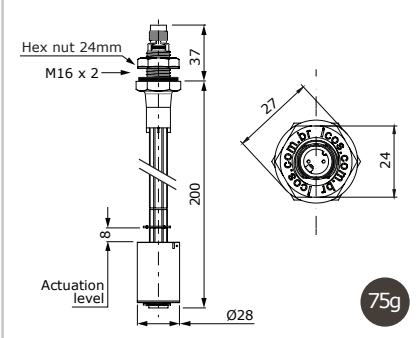


### Important!

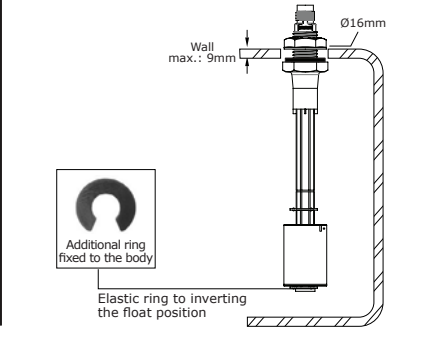
- For cables longer than 20 meters.
- Relay coupler, timing relay, frequency inverter.

A series **resistor** must be installed.  
[Click and check how to install.](#)

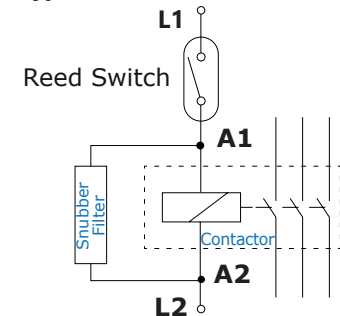
### Dimensions (mm) and Weight



### Mounting



### Typical connection to contactor



level sensor | level switch | float level | float switch | magnetic level switch | liquid level controller

[Click and Check:](#)

[Models and Prices](#) | [Datasheets](#) | [Operation Videos](#)

Flow Switches and Level Switches for liquids

Make it easy

## LE202-1-M12

### Material

 PPA - Polyphthalamide  
 (PA hex nut)


**How it works** Movement of the magnetic float opens/closes a hermetically sealed contact ([reed switch](#)).

- Details**
- 200mm length;
  - On/Off SPST output;
  - Work as normally open or normally closed, by inverting float position;
  - M12 output connection.

- Typical applications**
- Tank liquid level control in 2 points;
  - Pumps automation;
  - Machine tools.



**Chemical products** require preliminary tests to confirm compatibility.

**Liquid with ferrous particles** should be avoided.

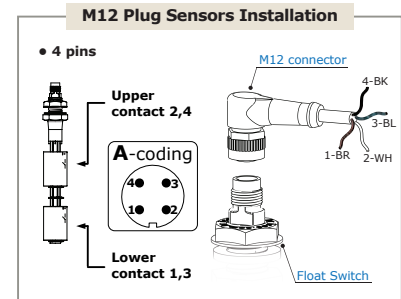
## Technical specifications

|                             |   |
|-----------------------------|---|
| Maximum operating pressure  | <b>2bar</b>   |
| Operating temperature range | <b>-10°C to 90°C</b>  |
| Liquid minimum density (SG) | <b>0.70</b>   |
| Sealing                     | <b>NBR gasket</b>   |
| Output connection           | <b>M12 male plug (4 pins)</b><br><b>M12 female connector NOT included</b> |
| Enclosure rating            | <b>IP66</b>   |
| Electrical contact          | <b>Reed Switch 20W/VA</b>   |

*The sensors work in all voltage and current ranges displayed in the table below:*

| Operating Voltage | Max. Switching Power | Max. Switching Current | Peak Current |
|-------------------|----------------------|------------------------|--------------|
| 110Vac            | 20VA                 | 0.2A                   | 0.5A @20ms   |
| 220Vac            | 20VA                 | 0.1A                   | 0.5A @20ms   |
| 5Vdc              | 2.5W                 | 0.5A                   | 1A @20ms     |
| 12Vdc             | 5W                   | 0.5A                   | 1A @20ms     |
| 24Vdc             | 10W                  | 0.5A                   | 1A @20ms     |

**24Vac:** NOT recommended

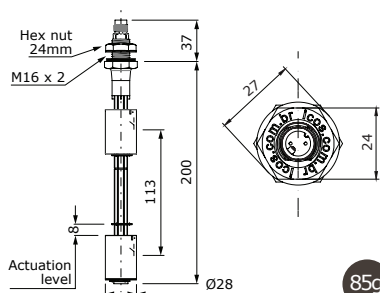


### Important!

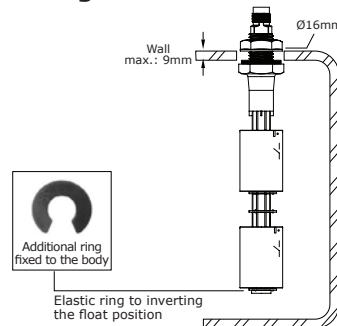
- For cables longer than 20 meters.
- Relay coupler, timing relay, frequency inverter.

A series **resistor** must be installed.  
[Click and check how to install.](#)

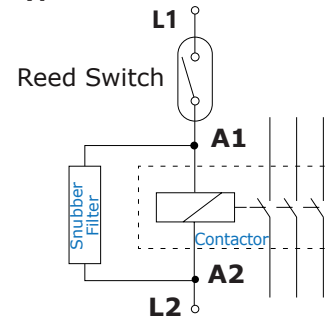
## Dimensions (mm) and Weight



## Mounting



## Typical connection to contactor



level sensor | level switch | float level | float switch | magnetic level switch | liquid level controller

 [Click and Check:](#)

[Models and Prices](#) | [Datasheets](#) | [Operation Videos](#)

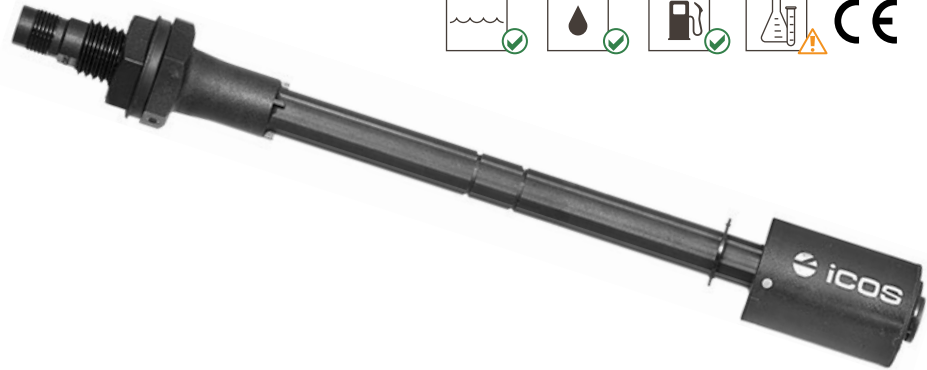
Flow Switches and Level Switches for liquids

Make it easy

## LE251-M12

### Material

PPA - Polyphthalamide  
(PA hex nut)



**How it works** Movement of the magnetic float opens/closes a hermetically sealed contact ([reed switch](#)).

- Details**
- 250mm length;
  - On/Off SPST output;
  - Work as normally open or normally closed, by inverting float position;
  - M12 output connection.

- Typical applications**
- Tank liquid level control in 1 point;
  - Pumps automation;
  - Machine tools.



**Chemical products** require preliminary tests to confirm compatibility.

**Liquid with ferrous particles** should be avoided.

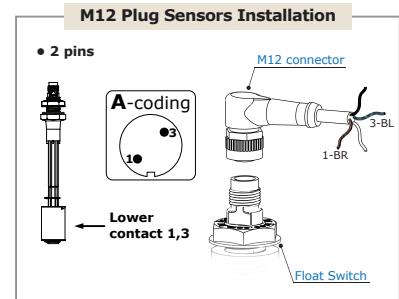
### Technical specifications

|                             |   |
|-----------------------------|---|
| Maximum operating pressure  | <b>2bar</b>   |
| Operating temperature range | <b>-10°C to 90°C</b>  |
| Liquid minimum density (SG) | <b>0.70</b>   |
| Sealing                     | <b>NBR gasket</b>   |
| Output connection           | <b>M12 male plug (2 pins)</b><br><b>M12 female connector NOT included</b> |
| Enclosure rating            | <b>IP66</b>   |
| Electrical contact          | <b>Reed Switch 20W/VA</b>   |

*The sensors work in all voltage and current ranges displayed in the table below:*

| Operating Voltage | Max. Switching Power | Max. Switching Current | Peak Current |
|-------------------|----------------------|------------------------|--------------|
| 110Vac            | 20VA                 | 0.2A                   | 0.5A @20ms   |
| 220Vac            | 20VA                 | 0.1A                   | 0.5A @20ms   |
| 5Vdc              | 2.5W                 | 0.5A                   | 1A @20ms     |
| 12Vdc             | 5W                   | 0.5A                   | 1A @20ms     |
| 24Vdc             | 10W                  | 0.5A                   | 1A @20ms     |

**24Vac:** NOT recommended

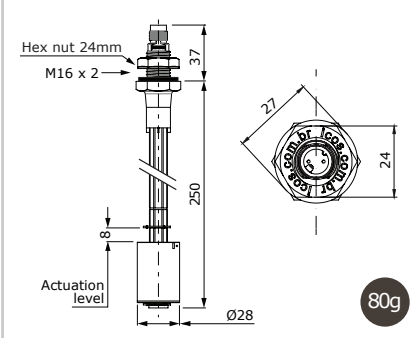


### Important!

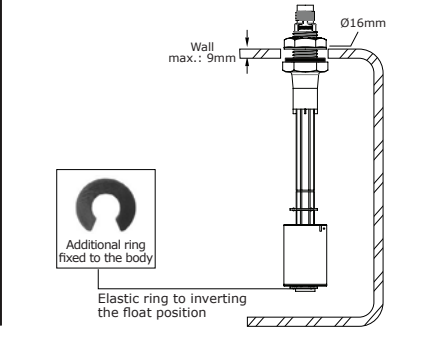
- For cables longer than 20 meters.
- Relay coupler, timing relay, frequency inverter.

A series **resistor** must be installed.  
[Click and check how to install.](#)

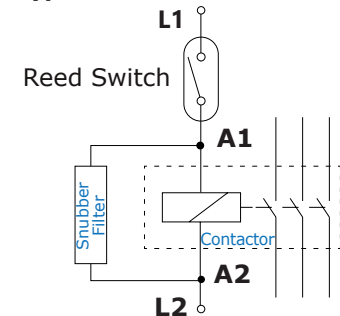
### Dimensions (mm) and Weight



### Mounting



### Typical connection to contactor



level sensor | level switch | float level | float switch | magnetic level switch | liquid level controller

[Click and Check:](#)

[Models and Prices](#) | [Datasheets](#) | [Operation Videos](#)

Flow Switches and Level Switches for liquids

Make it easy

## LE252-1-M12

### Material

PPA - Polyphthalamide  
(PA hex nut)



**How it works** Movement of the magnetic float opens/closes a hermetically sealed contact ([reed switch](#)).

- Details**
- 250mm length;
  - On/Off SPST output;
  - Work as normally open or normally closed, by inverting float position;
  - M12 output connection.

- Typical applications**
- Tank liquid level control in 2 points;
  - Pumps automation;
  - Machine tools.



**Chemical products** require preliminary tests to confirm compatibility.

**Liquid with ferrous particles** should be avoided.

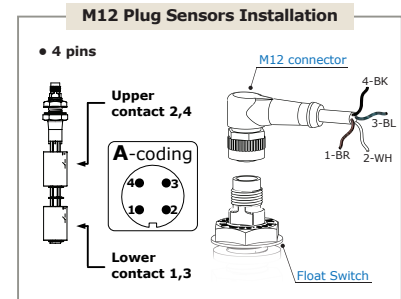
## Technical specifications

|                             |   |
|-----------------------------|---|
| Maximum operating pressure  | <b>2bar</b>   |
| Operating temperature range | <b>-10°C to 90°C</b>  |
| Liquid minimum density (SG) | <b>0.70</b>   |
| Sealing                     | <b>NBR gasket</b>   |
| Output connection           | <b>M12 male plug (4 pins)</b><br><b>M12 female connector NOT included</b> |
| Enclosure rating            | <b>IP66</b>   |
| Electrical contact          | <b>Reed Switch 20W/VA</b>   |

*The sensors work in all voltage and current ranges displayed in the table below:*

| Operating Voltage | Max. Switching Power | Max. Switching Current | Peak Current |
|-------------------|----------------------|------------------------|--------------|
| 110Vac            | 20VA                 | 0.2A                   | 0.5A @20ms   |
| 220Vac            | 20VA                 | 0.1A                   | 0.5A @20ms   |
| 5Vdc              | 2.5W                 | 0.5A                   | 1A @20ms     |
| 12Vdc             | 5W                   | 0.5A                   | 1A @20ms     |
| 24Vdc             | 10W                  | 0.5A                   | 1A @20ms     |

**24Vac:** NOT recommended

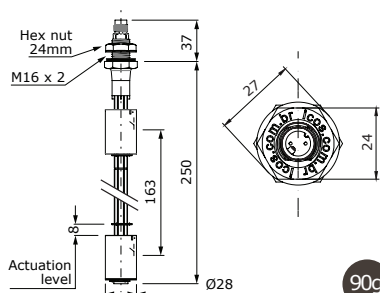


### Important!

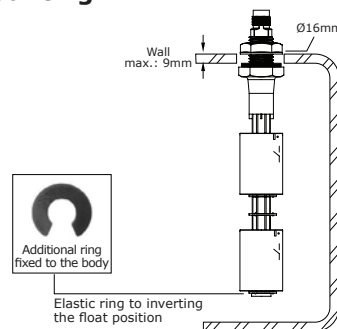
- For cables longer than 20 meters.
- Relay coupler, timing relay, frequency inverter.

A series **resistor** must be installed.  
[Click and check how to install.](#)

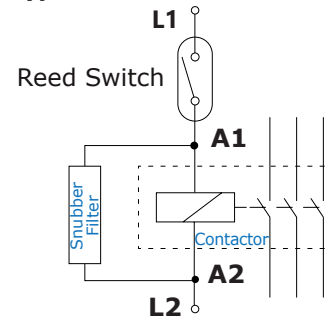
## Dimensions (mm) and Weight



## Mounting



## Typical connection to contactor



level sensor | level switch | float level | float switch | magnetic level switch | liquid level controller

 [Click and Check:](#)

[Models and Prices](#) | [Datasheets](#) | [Operation Videos](#)

Flow Switches and Level Switches for liquids

Make it easy

## LE301-M12

### Material

PPA - Polyphthalamide  
(PA hex nut)



**How it works** Movement of the magnetic float opens/closes a hermetically sealed contact ([reed switch](#)).

- Details**
- 300mm length;
  - On/Off SPST output;
  - Work as normally open or normally closed, by inverting float position;
  - M12 output connection.

- Typical applications**
- Tank liquid level control in 1 point;
  - Pumps automation;
  - Machine tools.



**Chemical products** require preliminary tests to confirm compatibility.

**Liquid with ferrous particles** should be avoided.

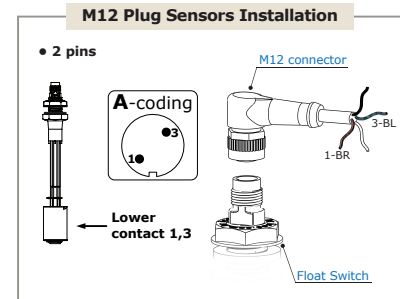
### Technical specifications

|                             |   |
|-----------------------------|---|
| Maximum operating pressure  | <b>2bar</b>   |
| Operating temperature range | <b>-10°C to 90°C</b>  |
| Liquid minimum density (SG) | <b>0.70</b>   |
| Sealing                     | <b>NBR gasket</b>   |
| Output connection           | <b>M12 male plug (2 pins)</b><br><b>M12 female connector NOT included</b> |
| Enclosure rating            | <b>IP66</b>   |
| Electrical contact          | <b>Reed Switch 20W/VA</b>   |

*The sensors work in all voltage and current ranges displayed in the table below:*

| Operating Voltage | Max. Switching Power | Max. Switching Current | Peak Current |
|-------------------|----------------------|------------------------|--------------|
| 110Vac            | 20VA                 | 0.2A                   | 0.5A @20ms   |
| 220Vac            | 20VA                 | 0.1A                   | 0.5A @20ms   |
| 5Vdc              | 2.5W                 | 0.5A                   | 1A @20ms     |
| 12Vdc             | 5W                   | 0.5A                   | 1A @20ms     |
| 24Vdc             | 10W                  | 0.5A                   | 1A @20ms     |

**24Vac:** NOT recommended

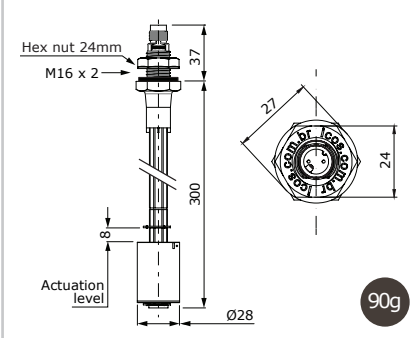


### Important!

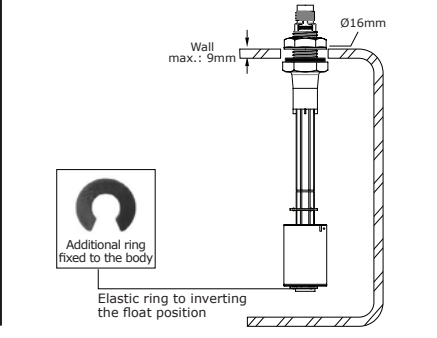
- For cables longer than 20 meters.
- Relay coupler, timing relay, frequency inverter.

A series **resistor** must be installed.  
[Click and check how to install.](#)

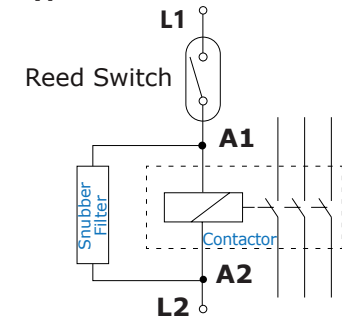
### Dimensions (mm) and Weight



### Mounting



### Typical connection to contactor



level sensor | level switch | float level | float switch | magnetic level switch | liquid level controller

[Click and Check:](#)

[Models and Prices](#) | [Datasheets](#) | [Operation Videos](#)

Flow Switches and Level Switches for liquids

Make it easy

## LE302-1-M12

### Material

PPA - Polyphthalamide  
(PA hex nut)



**How it works** Movement of the magnetic float opens/closes a hermetically sealed contact ([reed switch](#)).

- Details**
- 300mm length;
  - On/Off SPST output;
  - Work as normally open or normally closed, by inverting float position;
  - M12 output connection.

- Typical applications**
- Tank liquid level control in 2 points;
  - Pumps automation;
  - Machine tools.



**Chemical products** require preliminary tests to confirm compatibility.

**Liquid with ferrous particles** should be avoided.

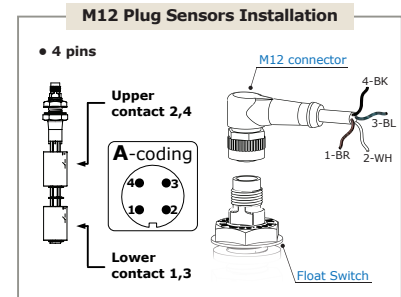
### Technical specifications

|                             |   |
|-----------------------------|---|
| Maximum operating pressure  | <b>2bar</b>   |
| Operating temperature range | <b>-10°C to 90°C</b>  |
| Liquid minimum density (SG) | <b>0.70</b>   |
| Sealing                     | <b>NBR gasket</b>   |
| Output connection           | <b>M12 male plug (4 pins)</b><br><b>M12 female connector NOT included</b> |
| Enclosure rating            | <b>IP66</b>   |
| Electrical contact          | <b>Reed Switch 20W/VA</b>   |

*The sensors work in all voltage and current ranges displayed in the table below:*

| Operating Voltage | Max. Switching Power | Max. Switching Current | Peak Current |
|-------------------|----------------------|------------------------|--------------|
| 110Vac            | 20VA                 | 0.2A                   | 0.5A @20ms   |
| 220Vac            | 20VA                 | 0.1A                   | 0.5A @20ms   |
| 5Vdc              | 2.5W                 | 0.5A                   | 1A @20ms     |
| 12Vdc             | 5W                   | 0.5A                   | 1A @20ms     |
| 24Vdc             | 10W                  | 0.5A                   | 1A @20ms     |

**24Vac:** NOT recommended

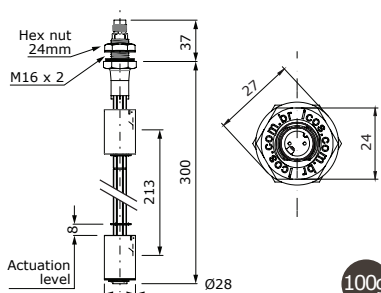


### Important!

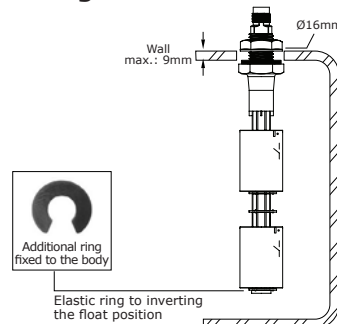
- For cables longer than 20 meters.
- Relay coupler, timing relay, frequency inverter.

A series **resistor** must be installed.  
[Click and check how to install.](#)

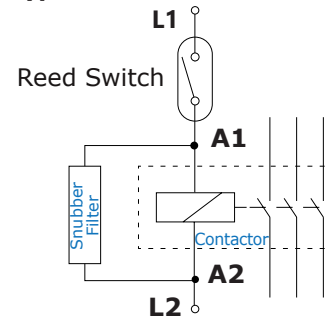
### Dimensions (mm) and Weight



### Mounting



### Typical connection to contactor



level sensor | level switch | float level | float switch | magnetic level switch | liquid level controller

 [Click and Check:](#)

[Models and Prices](#) | [Datasheets](#) | [Operation Videos](#)

Flow Switches and Level Switches for liquids

Make it easy

## LE351-M12

### Material

PPA - Polyphthalamide  
(PA hex nut)



**How it works** Movement of the magnetic float opens/closes a hermetically sealed contact ([reed switch](#)).

- Details**
- 350mm length;
  - On/Off SPST output;
  - Work as normally open or normally closed, by inverting float position;
  - M12 output connection.

- Typical applications**
- Tank liquid level control in 1 point;
  - Pumps automation;
  - Machine tools.



**Chemical products** require preliminary tests to confirm compatibility.

**Liquid with ferrous particles** should be avoided.

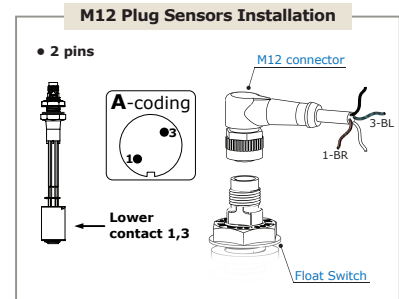
### Technical specifications

|                             |   |
|-----------------------------|---|
| Maximum operating pressure  | <b>2bar</b>   |
| Operating temperature range | <b>-10°C to 90°C</b>  |
| Liquid minimum density (SG) | <b>0.70</b>   |
| Sealing                     | <b>NBR gasket</b>   |
| Output connection           | <b>M12 male plug (2 pins)</b><br><b>M12 female connector NOT included</b> |
| Enclosure rating            | <b>IP66</b>   |
| Electrical contact          | <b>Reed Switch 20W/VA</b>   |

*The sensors work in all voltage and current ranges displayed in the table below:*

| Operating Voltage | Max. Switching Power | Max. Switching Current | Peak Current |
|-------------------|----------------------|------------------------|--------------|
| 110Vac            | 20VA                 | 0.2A                   | 0.5A @20ms   |
| 220Vac            | 20VA                 | 0.1A                   | 0.5A @20ms   |
| 5Vdc              | 2.5W                 | 0.5A                   | 1A @20ms     |
| 12Vdc             | 5W                   | 0.5A                   | 1A @20ms     |
| 24Vdc             | 10W                  | 0.5A                   | 1A @20ms     |

**24Vac:** NOT recommended

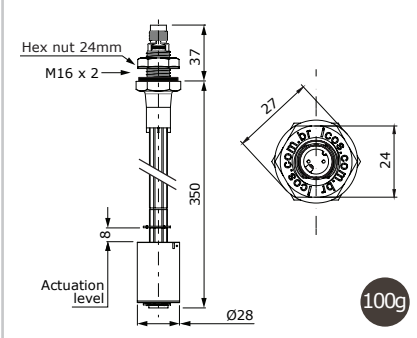


### Important!

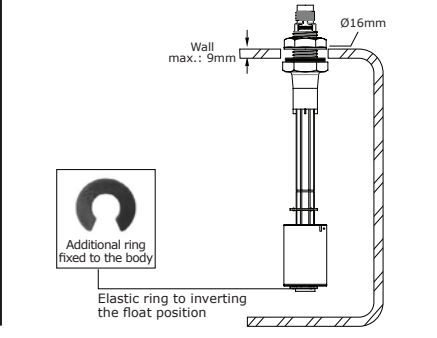
- For cables longer than 20 meters.
- Relay coupler, timing relay, frequency inverter.

A series **resistor** must be installed.  
[Click and check how to install.](#)

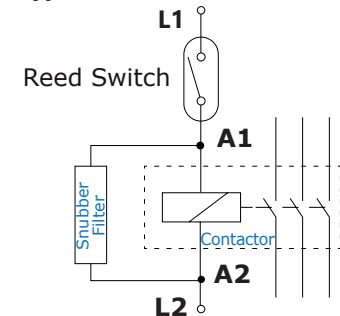
### Dimensions (mm) and Weight



### Mounting



### Typical connection to contactor



level sensor | level switch | float level | float switch | magnetic level switch | liquid level controller

[Click and Check:](#)

[Models and Prices](#) | [Datasheets](#) | [Operation Videos](#)

Flow Switches and Level Switches for liquids

Make it easy

## LE352-1-M12

### Material

PPA - Polyphthalamide  
(PA hex nut)



**How it works** Movement of the magnetic float opens/closes a hermetically sealed contact ([reed switch](#)).

- Details**
- 350mm length;
  - On/Off SPST output;
  - Work as normally open or normally closed, by inverting float position;
  - M12 output connection.

- Typical applications**
- Tank liquid level control in 2 points;
  - Pumps automation;
  - Machine tools.



**Chemical products** require preliminary tests to confirm compatibility.

**Liquid with ferrous particles** should be avoided.

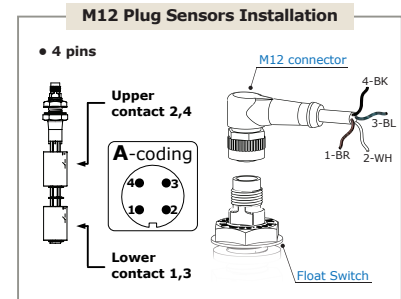
### Technical specifications

|                             |   |
|-----------------------------|---|
| Maximum operating pressure  | <b>2bar</b>   |
| Operating temperature range | <b>-10°C to 90°C</b>  |
| Liquid minimum density (SG) | <b>0.70</b>   |
| Sealing                     | <b>NBR gasket</b>   |
| Output connection           | <b>M12 male plug (4 pins)</b><br><b>M12 female connector NOT included</b> |
| Enclosure rating            | <b>IP66</b>   |
| Electrical contact          | <b>Reed Switch 20W/VA</b>   |

*The sensors work in all voltage and current ranges displayed in the table below:*

| Operating Voltage | Max. Switching Power | Max. Switching Current | Peak Current |
|-------------------|----------------------|------------------------|--------------|
| 110Vac            | 20VA                 | 0.2A                   | 0.5A @20ms   |
| 220Vac            | 20VA                 | 0.1A                   | 0.5A @20ms   |
| 5Vdc              | 2.5W                 | 0.5A                   | 1A @20ms     |
| 12Vdc             | 5W                   | 0.5A                   | 1A @20ms     |
| 24Vdc             | 10W                  | 0.5A                   | 1A @20ms     |

**24Vac:** NOT recommended

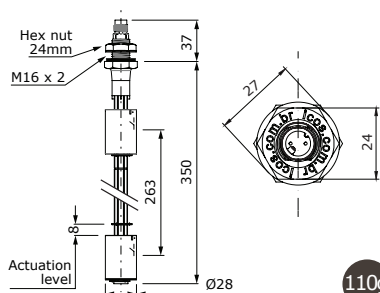


### Important!

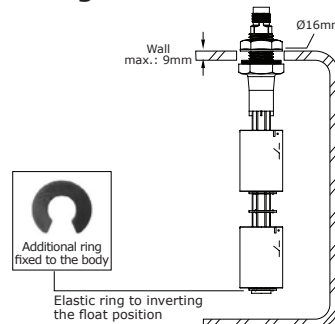
- For cables longer than 20 meters.
- Relay coupler, timing relay, frequency inverter.

A series **resistor** must be installed.  
[Click and check how to install.](#)

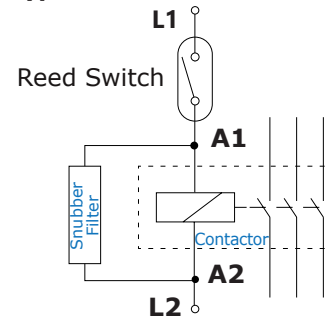
### Dimensions (mm) and Weight



### Mounting



### Typical connection to contactor



level sensor | level switch | float level | float switch | magnetic level switch | liquid level controller

[Click and Check:](#)

[Models and Prices](#) | [Datasheets](#) | [Operation Videos](#)

Flow Switches and Level Switches for liquids

Make it easy



## LE401-M12

### Material

PPA - Polyphthalamide  
(PA hex nut)



**How it works** Movement of the magnetic float opens/closes a hermetically sealed contact ([reed switch](#)).

- Details**
- 400mm length;
  - On/Off SPST output;
  - Work as normally open or normally closed, by inverting float position;
  - M12 output connection.

- Typical applications**
- Tank liquid level control in 1 point;
  - Pumps automation;
  - Machine tools.



**Chemical products** require preliminary tests to confirm compatibility.  
**Liquid with ferrous particles** should be avoided.

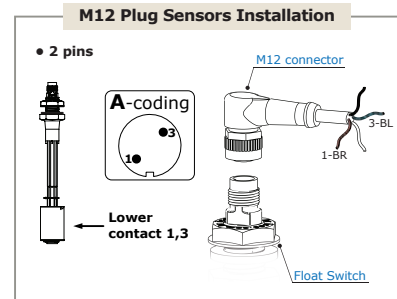
### Technical specifications

|                             |   |
|-----------------------------|---|
| Maximum operating pressure  | <b>2bar</b>   |
| Operating temperature range | <b>-10°C to 90°C</b>  |
| Liquid minimum density (SG) | <b>0.70</b>   |
| Sealing                     | <b>NBR gasket</b>   |
| Output connection           | <b>M12 male plug (2 pins)</b><br><b>M12 female connector NOT included</b> |
| Enclosure rating            | <b>IP66</b>   |
| Electrical contact          | <b>Reed Switch 20W/VA</b>   |

*The sensors work in all voltage and current ranges displayed in the table below:*

| Operating Voltage | Max. Switching Power | Max. Switching Current | Peak Current |
|-------------------|----------------------|------------------------|--------------|
| 110Vac            | 20VA                 | 0.2A                   | 0.5A @20ms   |
| 220Vac            | 20VA                 | 0.1A                   | 0.5A @20ms   |
| 5Vdc              | 2.5W                 | 0.5A                   | 1A @20ms     |
| 12Vdc             | 5W                   | 0.5A                   | 1A @20ms     |
| 24Vdc             | 10W                  | 0.5A                   | 1A @20ms     |

**24Vac:** NOT recommended

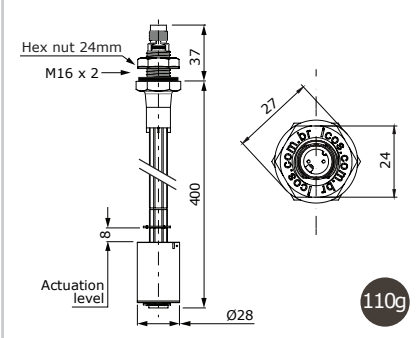


### Important!

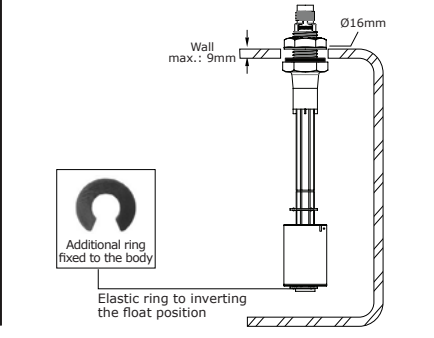
- For cables longer than 20 meters.
- Relay coupler, timing relay, frequency inverter.

A series **resistor** must be installed.  
[Click and check how to install.](#)

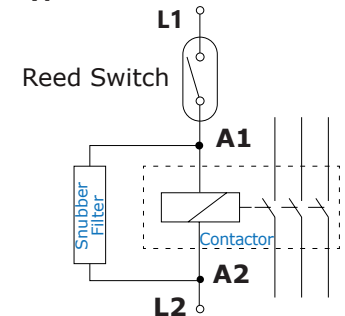
### Dimensions (mm) and Weight



### Mounting



### Typical connection to contactor



level sensor | level switch | float level | float switch | magnetic level switch | liquid level controller

[Click and Check:](#)

[Models and Prices](#) | [Datasheets](#) | [Operation Videos](#)

Flow Switches and Level Switches for liquids

Make it easy

## LE402-1-M12

### Material

PPA - Polyphthalamide  
(PA hex nut)



**How it works** Movement of the magnetic float opens/closes a hermetically sealed contact ([reed switch](#)).

- Details**
- 400mm length;
  - On/Off SPST output;
  - Work as normally open or normally closed, by inverting float position;
  - M12 output connection.

- Typical applications**
- Tank liquid level control in 2 points;
  - Pumps automation;
  - Machine tools.



**Chemical products** require preliminary tests to confirm compatibility.

**Liquid with ferrous particles** should be avoided.

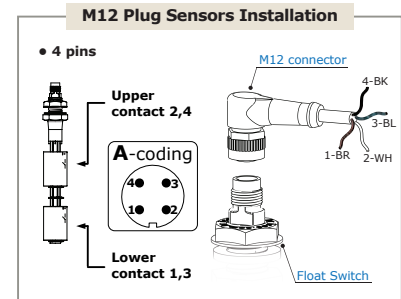
### Technical specifications

|                             |   |
|-----------------------------|---|
| Maximum operating pressure  | <b>2bar</b>   |
| Operating temperature range | <b>-10°C to 90°C</b>  |
| Liquid minimum density (SG) | <b>0.70</b>   |
| Sealing                     | <b>NBR gasket</b>   |
| Output connection           | <b>M12 male plug (4 pins)</b><br><b>M12 female connector NOT included</b> |
| Enclosure rating            | <b>IP66</b>   |
| Electrical contact          | <b>Reed Switch 20W/VA</b>   |

*The sensors work in all voltage and current ranges displayed in the table below:*

| Operating Voltage | Max. Switching Power | Max. Switching Current | Peak Current |
|-------------------|----------------------|------------------------|--------------|
| 110Vac            | 20VA                 | 0.2A                   | 0.5A @20ms   |
| 220Vac            | 20VA                 | 0.1A                   | 0.5A @20ms   |
| 5Vdc              | 2.5W                 | 0.5A                   | 1A @20ms     |
| 12Vdc             | 5W                   | 0.5A                   | 1A @20ms     |
| 24Vdc             | 10W                  | 0.5A                   | 1A @20ms     |

**24Vac:** NOT recommended

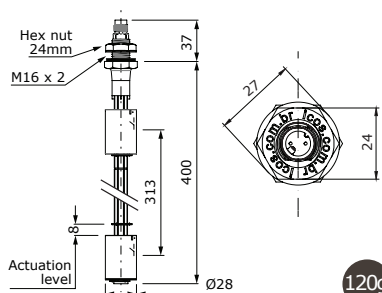


### Important!

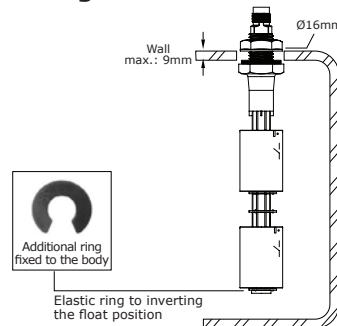
- For cables longer than 20 meters.
- Relay coupler, timing relay, frequency inverter.

A series **resistor** must be installed.  
[Click and check how to install.](#)

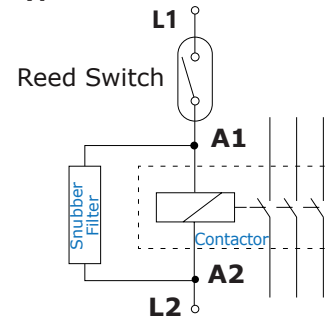
### Dimensions (mm) and Weight



### Mounting



### Typical connection to contactor



level sensor | level switch | float level | float switch | magnetic level switch | liquid level controller

[Click and Check:](#)

[Models and Prices](#) | [Datasheets](#) | [Operation Videos](#)

Flow Switches and Level Switches for liquids

Make it easy

## C1 M12

### Material

Body: PC - Polycarbonate  
Sensor: PPA - Polyphthalamide



**How it works** Mounted on the booster pumps up to 1CV (1 HP) or parallel pipe, closing the electrical contact (**reed switch**) when the water reaches the level of the internal sensor.

- Details**
- Transparent display that shows lack or presence of water;
  - On/Off SPST output;
  - Electrical outlet in M12 Plug.

- Typical applications**
- Display and signaling the presence of liquids in pipes;
  - Protects the pump against dry running.



**Chemical products** require preliminary tests to confirm compatibility.

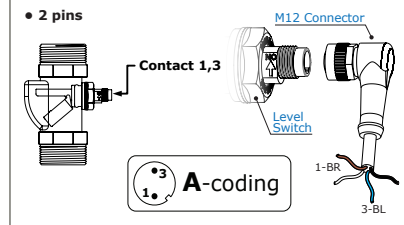
**Liquid with ferrous particles** should be avoided.

*Don't apply solvents or diluents, they cause chemical damage to polycarbonate.*

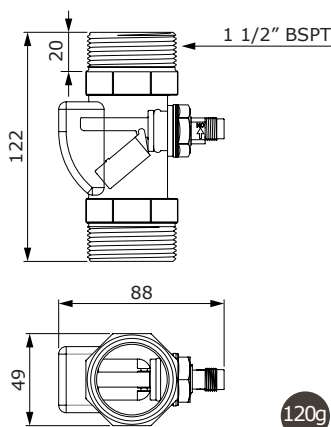
### Technical specifications

|                             |   |
|-----------------------------|---|
| Maximum operating pressure  | <b>7bar</b>   |
| Operating temperature range | <b>1°C to 60°C</b>  |
| Sealing                     | <b>Sealant tape</b>   |
| Output connection           | <b>M12 male plug (2 pins)</b><br><b>M12 female connector NOT included</b> |
| Enclosure rating            | <b>IP66</b>   |
| Electrical contact          | <b>Reed Switch 20W/VA</b>   |
| Switching voltage           | <b>110 / 220 Vac &amp; 12 / 24 Vdc</b>                                    |
| Inlet/outlet port           | <b>1 1/2" BSPT Male</b>   |

#### M12 Plug Sensors Installation

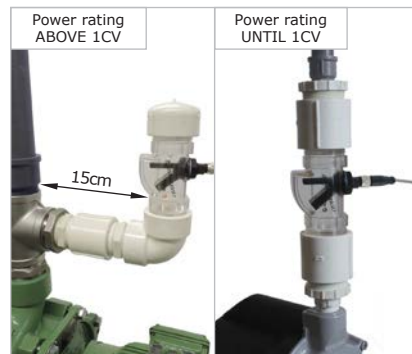


#### Dimensions (mm) and Weight



#### Mounting (Options for Pumps)

**NO**  
Working as  
Normally Open



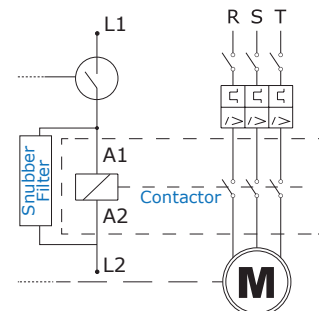
#### Important!

- For cables longer than 20 meters.
- Relay coupler, timing relay, frequency inverter.

A series **resistor** must be installed.

**Click and check how to install.**

#### Typical connection to contactor



level sensor | float switch | contrasseco | level display | protection | dry running | centrifugal pumps | parallel pipes

**Click and Check:**  
[Models and Prices](#) | [Datasheets](#) | [Operation Videos](#)

Flow Switches and Level Switches for liquids

Make it easy